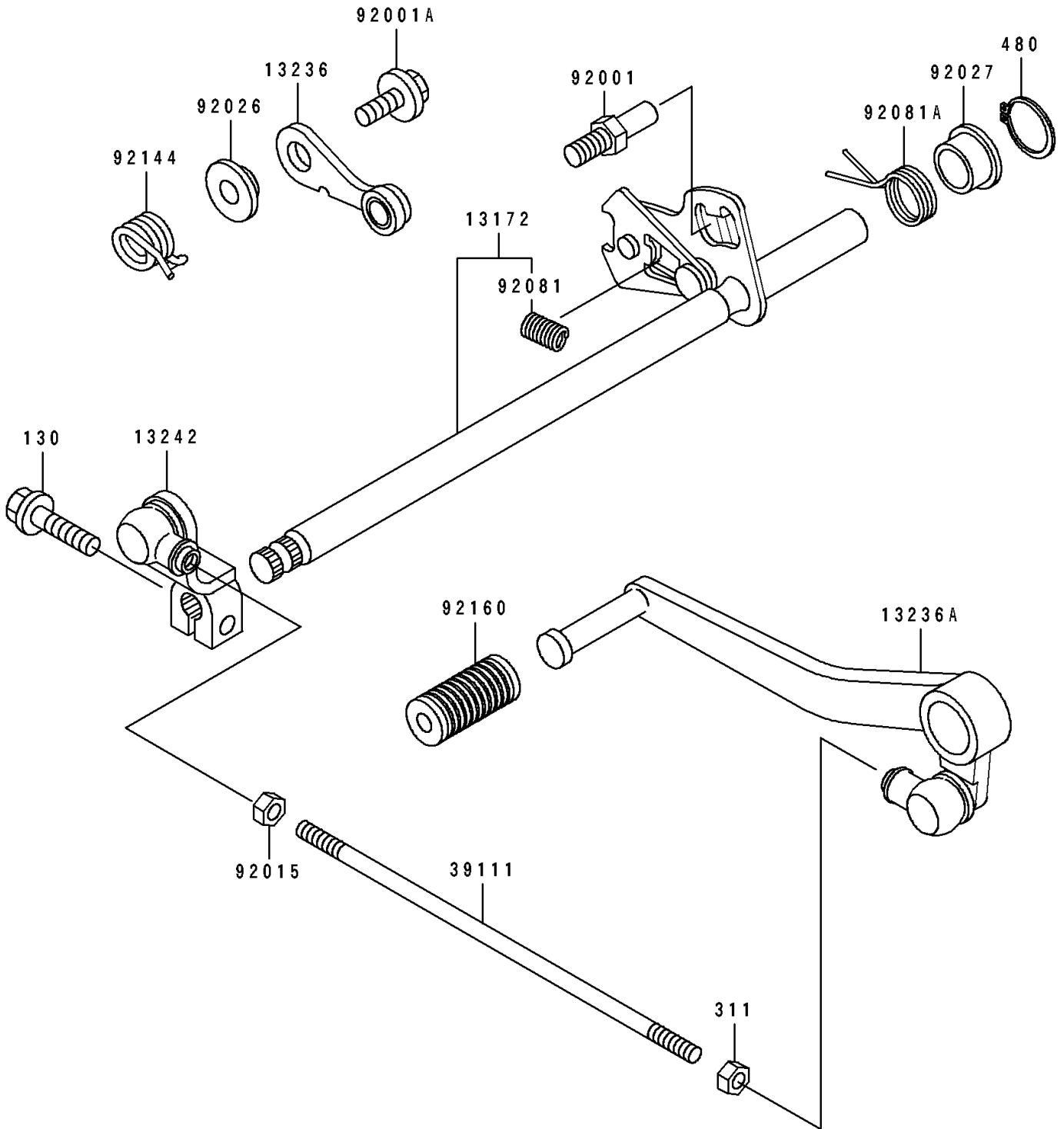


# 1993 Ninja® ZX™ -6 PARTS DIAGRAM

Gear Change Mechanism

E1370



# 1993 Ninja® ZX™-6 PARTS LIST

## Gear Change Mechanism

| ITEM NAME                                 | PART NUMBER | QUANTITY |
|---|-------------|----------|
| SHAFT-ASSY-CHANGE (Ref # 13172)           | 13172-1072  | 1        |
| LEVER-COMP,NEUTRAL POSITION (Ref # 13236) | 13236-1209  | 1        |
| LEVER-COMP,CHANGE PEDAL (Ref # 13236A)    | 13236-1211  | 1        |
| LEVER-ASSY-CHANGE,BOSS (Ref # 13242)      | 13242-1285  | 1        |
| ROD-TIE (Ref # 39111)                     | 39111-1057  | 1        |
| BOLT,RETURN SPRING (Ref # 92001)          | 92001-1455  | 1        |
| BOLT,W/WASHER,6X12 (Ref # 92001A)         | 92001-1516  | 1        |
| NUT (Ref # 92015)                         | 92015-1178  | 1        |
| SPACER (Ref # 92026)                      | 92026-1217  | 1        |
| COLLAR,L=10.6 (Ref # 92027)               | 92027-1801  | 1        |
| SPRING,CHANGE LEVER (Ref # 92081)         | 92081-1275  | 1        |
| SPRING,CHANGE LEVER RETURN (Ref # 92081A) | 92081-1279  | 1        |
| SPRING,NEUTRAL POSITION (Ref # 92144)     | 92144-1478  | 1        |
| DAMPER,CHANGE PEDAL (Ref # 92160)         | 92160-1036  | 1        |
| BOLT-FLANGED,6X20,BLACK (Ref # 130)       | 130S0620    | 1        |
| NUT-HEX (Ref # 311)                       | 311J0600    | 1        |
| CIRCLIP-TYPE-C,13MM (Ref # 480)           | 480J1300    | 1        |