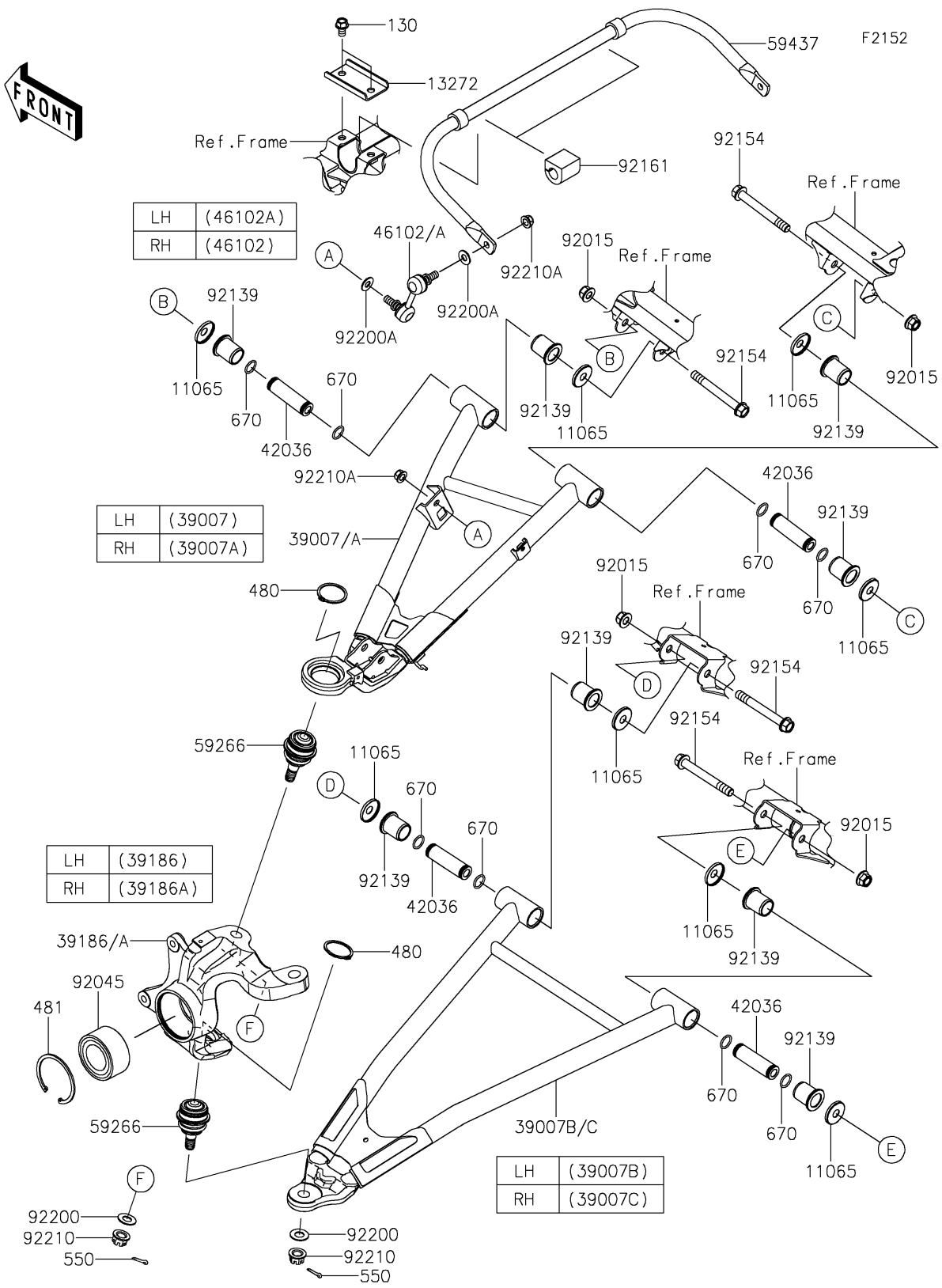


2022 TERYX KRX® 1000 SPECIAL EDITION

PARTS DIAGRAM

Front Suspension



2022 TERYX KRX® 1000 SPECIAL EDITION

Kawasaki
Let the Good Times Roll®

PARTS LIST

Front Suspension

ITEM NAME	PART NUMBER	QUANTITY
CAP (Ref # 11065)	11065-0253	16
PLATE (Ref # 13272)	13272-2677	2
ARM-SUSP,FR,UPP,LH,P.C.P.RED (Ref # 39007)	39007-0424-57C	1
ARM-SUSP,FR,UPP,RH,P.C.P.RED (Ref # 39007A)	39007-0425-57C	1
ARM-SUSP,FR,LWR,LH,P.C.P.RED (Ref # 39007B)	39007-0463-57C	1
ARM-SUSP,FR,LWR,RH,P.C.P.RED (Ref # 39007C)	39007-0464-57C	1
KNUCKLE,FR,LH (Ref # 39186)	39186-0333	1
KNUCKLE,FR,RH (Ref # 39186A)	39186-0334	1
SLEEVE,12.1X22X76 (Ref # 42036)	42036-0836	8
ROD,STABILIZER,RH (Ref # 46102)	46102-0100	1
ROD,STABILIZER,LH (Ref # 46102A)	46102-0101	1
JOINT-BALL (Ref # 59266)	59266-0738	4
STABILIZER,FR (Ref # 59437)	59437-0025	1
NUT,LOCK,FLANGED,12MM (Ref # 92015)	92015-1433	8
BEARING-BALL,40X74X36 (Ref # 92045)	92045-0919	2
BUSHING (Ref # 92139)	92139-0937	16
BOLT,FLANGED,12X100 (Ref # 92154)	92154-1318	8
DAMPER (Ref # 92161)	92161-2413	2
WASHER,14.2X28X1.5 (Ref # 92200)	92200-0217	4
WASHER,10.3X23X1.6 (Ref # 92200A)	92200-0724	4
NUT,CASTLE,14MM (Ref # 92210)	92210-0104	4
NUT,LOCK,FLANGED,10MM (Ref # 92210A)	92210-1080	4
BOLT-FLANGED,10X16 (Ref # 130)	130CA1016	4
CIRCLIP-TYPE-C,42MM (Ref # 480)	480J4200	4
CIRCLIP-TYPE-C (Ref # 481)	481J7500	2
PIN-COTTER,3.0X25 (Ref # 550)	550AA3025	4
O RING,18MM (Ref # 670)	670B2018	16