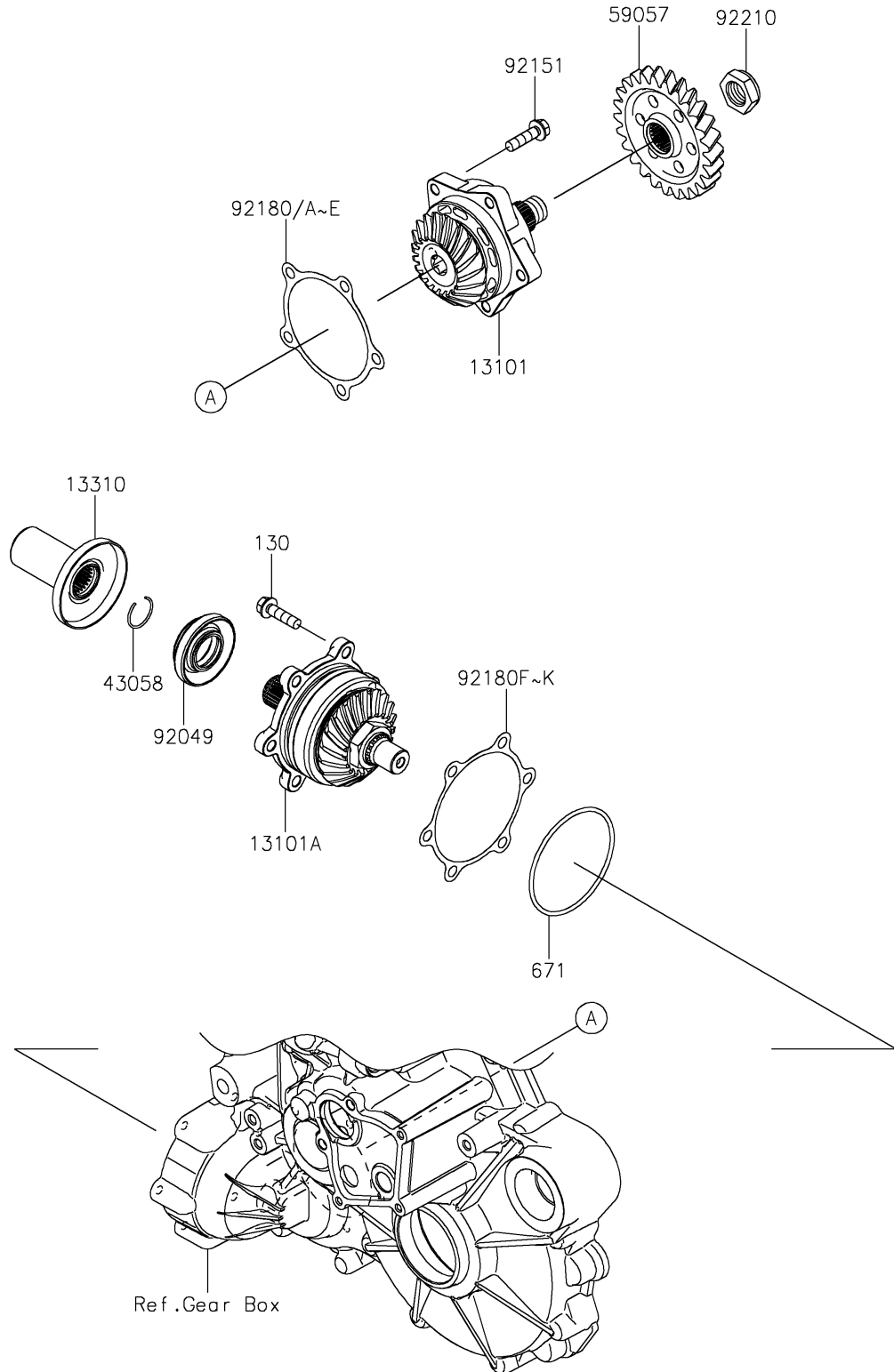


# 2022 TERYX KRX® 1000 SPECIAL EDITION PARTS DIAGRAM

Bevel Gear

E3130



## 2022 TERYX KRX® 1000 SPECIAL EDITION PARTS LIST

### Bevel Gear

| ITEM NAME                         | PART NUMBER | QUANTITY |
|-----------------------------------|-------------|----------|
| GEAR-ASSY,DRIVE (Ref # 13101)     | 13101-0689  | 1        |
| GEAR-ASSY,DRIVEN (Ref # 13101A)   | 13101-0690  | 1        |
| SHAFT-ASSY (Ref # 13310)          | 13310-0044  | 1        |
| RING (Ref # 43058)                | 43058-0018  | 1        |
| GEAR-HELICAL (Ref # 59057)        | 59057-0034  | 1        |
| SEAL-OIL (Ref # 92049)            | 92049-0160  | 1        |
| BOLT,8X30 (Ref # 92151)           | 92151-1908  | 5        |
| SHIM,DRIVE,T=0.15 (Ref # 92180)   | 92180-1543  | AR       |
| SHIM,DRIVE,T=0.20 (Ref # 92180A)  | 92180-1544  | AR       |
| SHIM,DRIVE,T=0.50 (Ref # 92180B)  | 92180-1545  | AR       |
| SHIM,DRIVE,T=0.80 (Ref # 92180C)  | 92180-1546  | AR       |
| SHIM,DRIVE,T=1.00 (Ref # 92180D)  | 92180-1547  | AR       |
| SHIM,DRIVE,T=1.20 (Ref # 92180E)  | 92180-1548  | AR       |
| SHIM,DRIVEN,T=0.15 (Ref # 92180F) | 92180-1549  | AR       |
| SHIM,DRIVEN,T=0.20 (Ref # 92180G) | 92180-1550  | AR       |
| SHIM,DRIVEN,T=0.50 (Ref # 92180H) | 92180-1551  | AR       |
| SHIM,DRIVEN,T=0.80 (Ref # 92180I) | 92180-1552  | AR       |
| SHIM,DRIVEN,T=1.00 (Ref # 92180J) | 92180-1553  | AR       |
| SHIM,DRIVEN,T=1.20 (Ref # 92180K) | 92180-1554  | AR       |
| NUT (Ref # 92210)                 | 92210-1790  | 1        |
| BOLT-FLANGED,8X30 (Ref # 130)     | 130BA0830   | 6        |
| O RING (Ref # 671)                | 671D2585    | 1        |