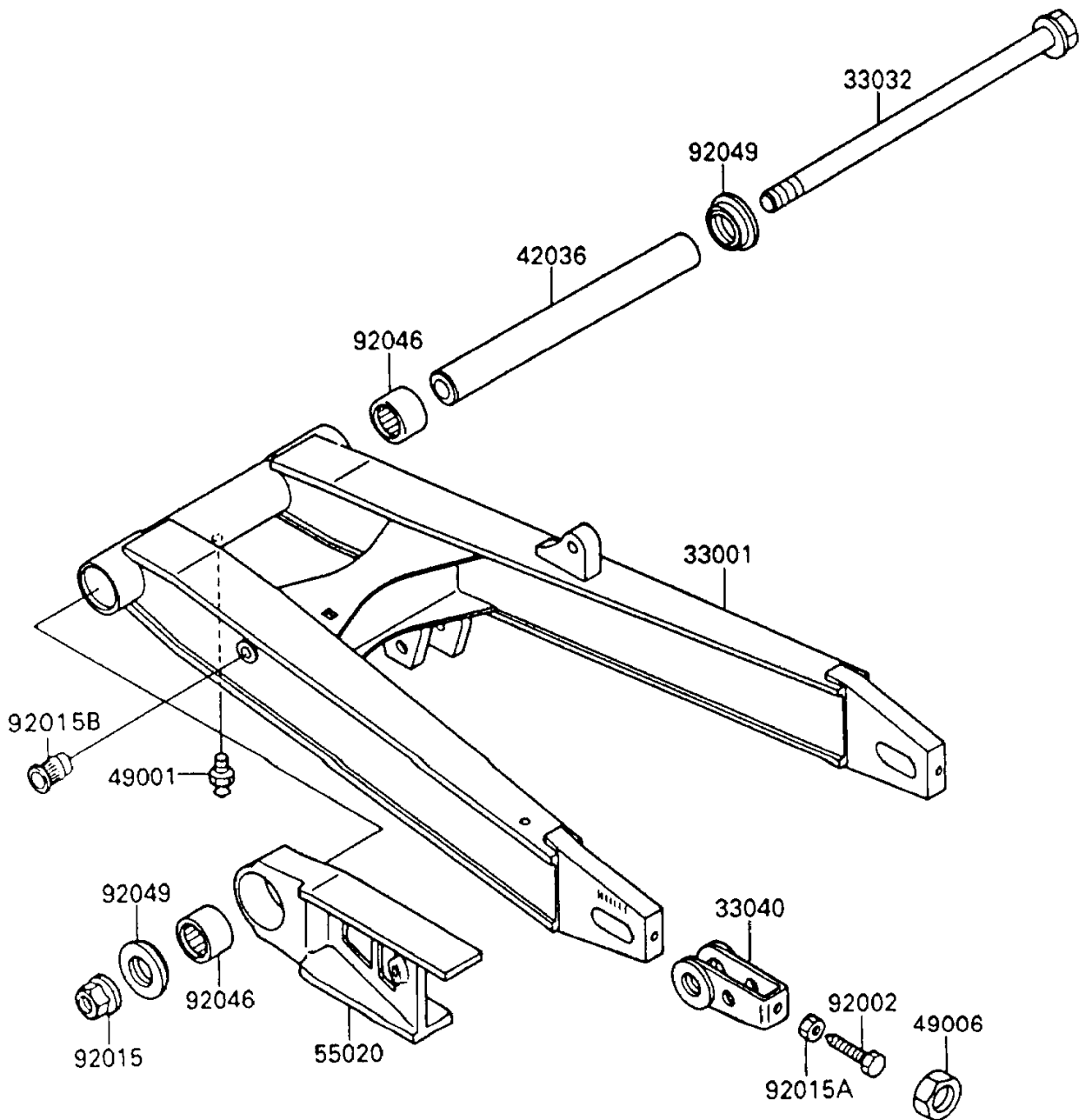


1993 Ninja® 600R PARTS DIAGRAM

Swingarm

F2141-0055



1993 Ninja® 600R PARTS LIST

Swingarm

ITEM NAME	PART NUMBER	QUANTITY
ARM-COMP-SWING,SILVER NO.25 (Ref # 33001)	33001-1288-CE	1
SHAFT-SWING ARM (Ref # 33032)	33032-1136	1
ADJUSTER-CHAIN (Ref # 33040)	33040-1063	2
SLEEVE,17.1X25X230 (Ref # 42036)	42036-1220	1
NIPPLE-GREASE (Ref # 49001)	49001-1051	1
GUARD,CHAIN (Ref # 55020)	55020-1267	1
BOLT,CHAIN ADJUSTER,8X50 (Ref # 92002)	92002-1076	2
NUT,16MM (Ref # 92015)	92015-1041	1
NUT,8MM (Ref # 92015A)	92015-1364	2
NUT,POP,6MM,L=16.5 (Ref # 92015B)	92015-1792	1
BEARING-NEEDLE,BHTM2530-1 (Ref # 92046)	92046-1035	2
SEAL-OIL (Ref # 92049)	92049-1166	2