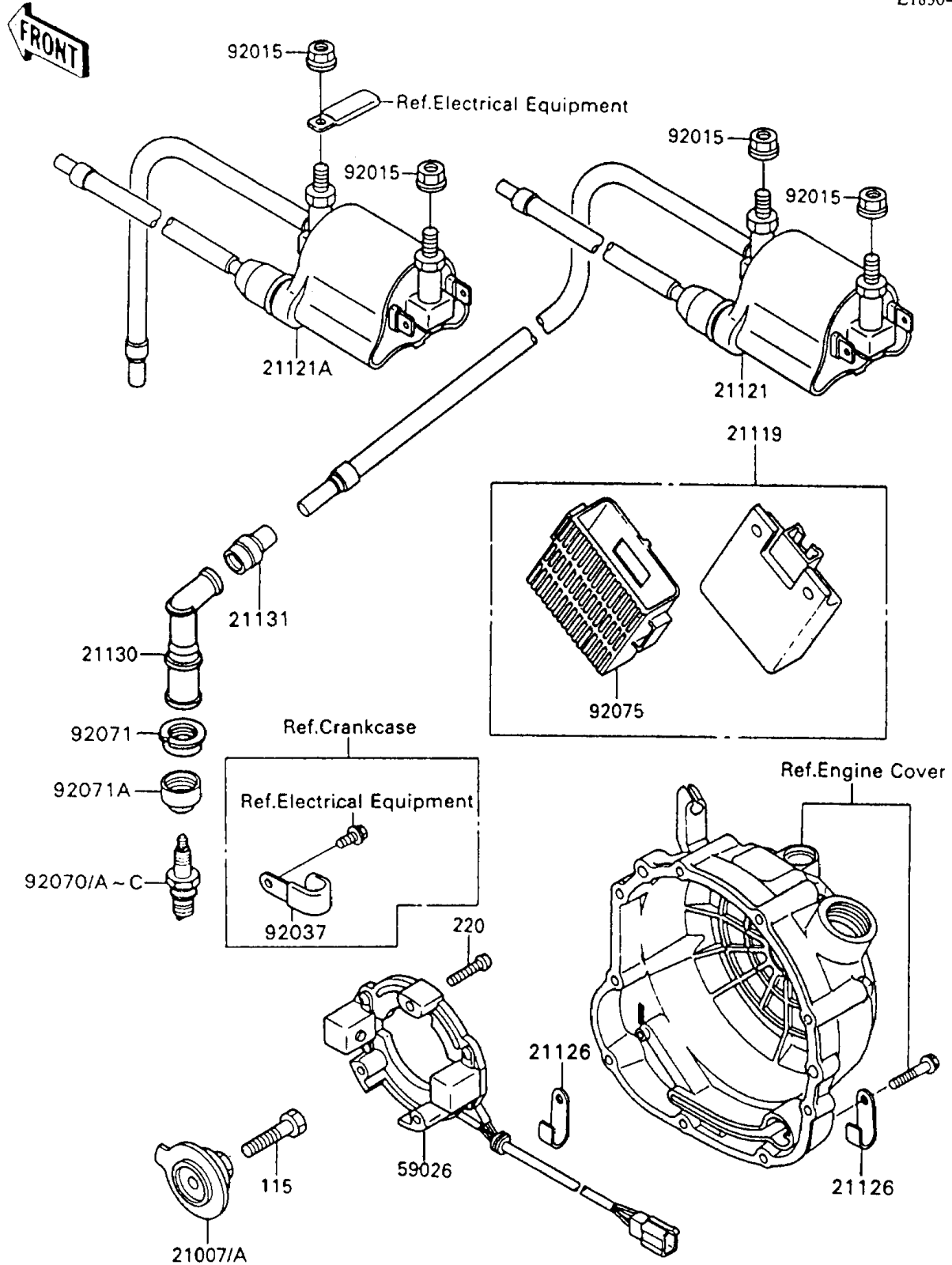


# 1990 Ninja® 600R PARTS DIAGRAM

Ignition System

E1830-0270



# 1990 Ninja® 600R PARTS LIST

## Ignition System

ITEM NAME	PART NUMBER	QUANTITY
ROTOR,PULSING COIL (Ref # 21007)	21007-1135	1
ROTOR (Ref # 21007A)	21007-1159	1
IGNITER (Ref # 21119)	21119-1167	1
COIL-IGNITION,#1&#4 (Ref # 21121)	21121-1157	1
COIL-IGNITION,#2&#3 (Ref # 21121A)	21121-1158	1
CLAMP,WIRING HARNESS (Ref # 21126)	21126-008	2
CAP-SPARK PLUG (Ref # 21130)	21130-1068	4
GROMMET,HIGH TENSION (Ref # 21131)	21131-005	4
COIL-PULSING (Ref # 59026)	59026-1078	1
NUT,FLANGED,6MM (Ref # 92015)	92015-1193	4
CLAMP,WIRING HARNESS (Ref # 92037)	92037-1539	1
PLUG-SPARK,D8EA(NGK) (Ref # 92070)	92070-1011	4
PLUG-SPARK,X24ES-U(ND) (Ref # 92070A)		4
PLUG-SPARK,D9EA(NGK) (Ref # 92070B)	92070-1034	4
PLUG-SPARK,X27ES-U(ND) (Ref # 92070C)		4
GROMMET (Ref # 92071)	92071-1144	4
GROMMET,PLUG CAP (Ref # 92071A)	92071-1184	4
DAMPER,IGNITER (Ref # 92075)	92075-1504	1
BOLT-SMALL-UPSET (Ref # 115)	115G0835	1
SCREW-PAN-CROS,5X25 (Ref # 220)	220B0525	3