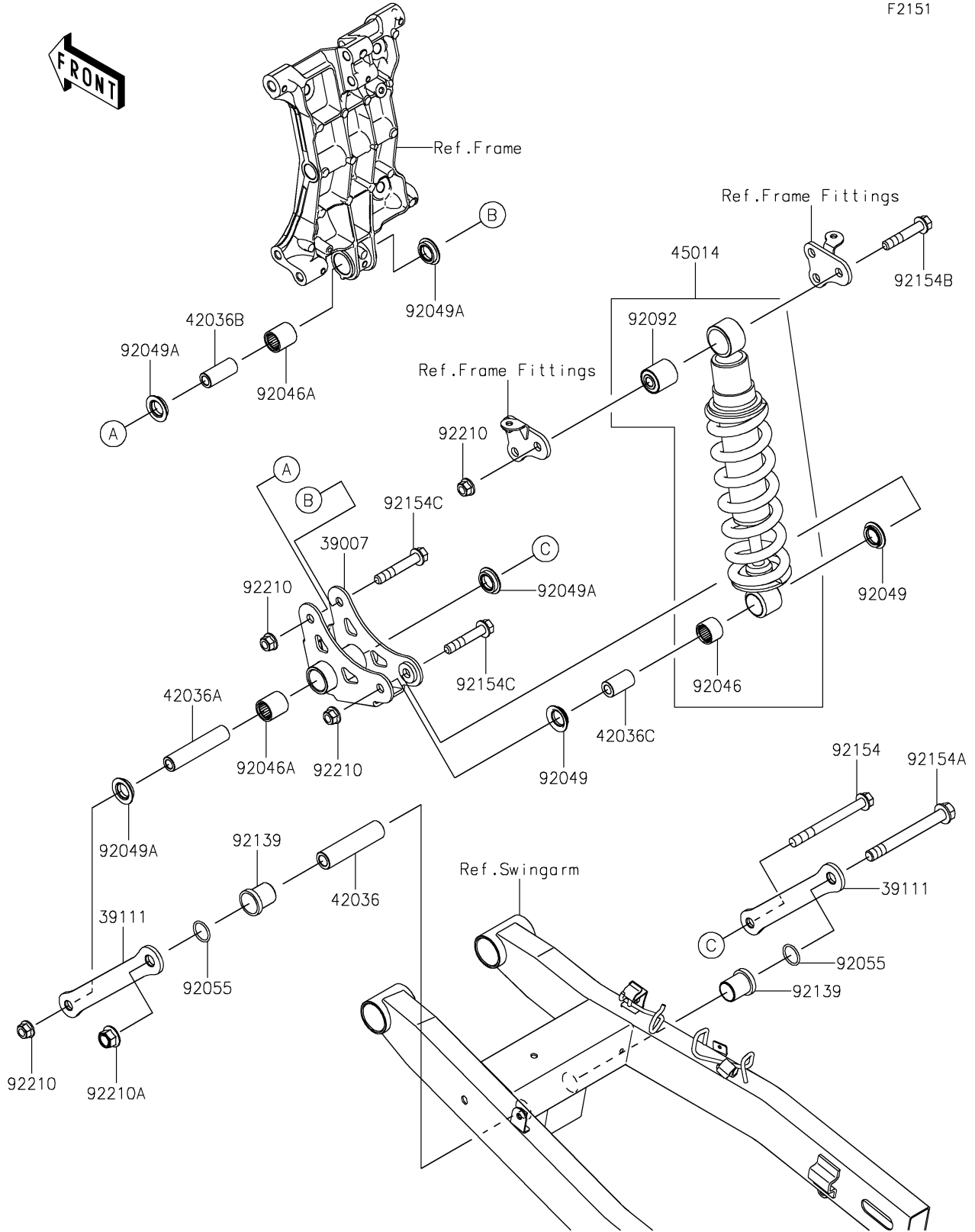


2024 Z500 SE PARTS DIAGRAM

Suspension/Shock Absorber

F2151



2024 Z500 SE PARTS LIST

Suspension/Shock Absorber

| ITEM NAME | PART NUMBER | QUANTITY |
|---|----------------|----------|
| ARM-SUSP (Ref # 39007) | 39007-0512 | 1 |
| ROD-TIE,SUSPENSION (Ref # 39111) | 39111-0365 | 2 |
| SLEEVE,12.1X20X83 (Ref # 42036) | 42036-0807 | 1 |
| SLEEVE,10.1X17X83 (Ref # 42036A) | 42036-0808 | 1 |
| SLEEVE,10.1X17X40.5 (Ref # 42036B) | 42036-0809 | 1 |
| SLEEVE,10.1X18X32 (Ref # 42036C) | 42036-1344 | 1 |
| SHOCKABSORBER,BLACK+BLK (Ref # 45014) | 45014-0619-37S | 1 |
| BEARING-NEEDLE,SFYZM182417 (Ref # 92046) | 92046-1272 | 1 |
| BEARING-NEEDLE,SFYZM172425 (Ref # 92046A) | 92046-1273 | 2 |
| SEAL-OIL (Ref # 92049) | 92049-0133 | 2 |
| SEAL-OIL,MHA17245.7F (Ref # 92049A) | 92049-0850 | 4 |
| RING-O,19.8X2.2 (Ref # 92055) | 92055-1215 | 2 |
| BUSHING-RUBBER (Ref # 92092) | 92092-1058 | 1 |
| BUSHING,20X23X29 (Ref # 92139) | 92139-0890 | 2 |
| BOLT,FLANGED,10X105 (Ref # 92154) | 92154-2810 | 1 |
| BOLT,FLANGED,12X110 (Ref # 92154A) | 92154-2811 | 1 |
| BOLT,FLANGED,10X54 (Ref # 92154B) | 92154-2813 | 1 |
| BOLT,FLANGED,10X60 (Ref # 92154C) | 92154-3771 | 2 |
| NUT,LOCK,FLANGED,10MM (Ref # 92210) | 92210-1139 | 4 |
| NUT,LOCK,FLANGED,12MM (Ref # 92210A) | 92210-1150 | 1 |