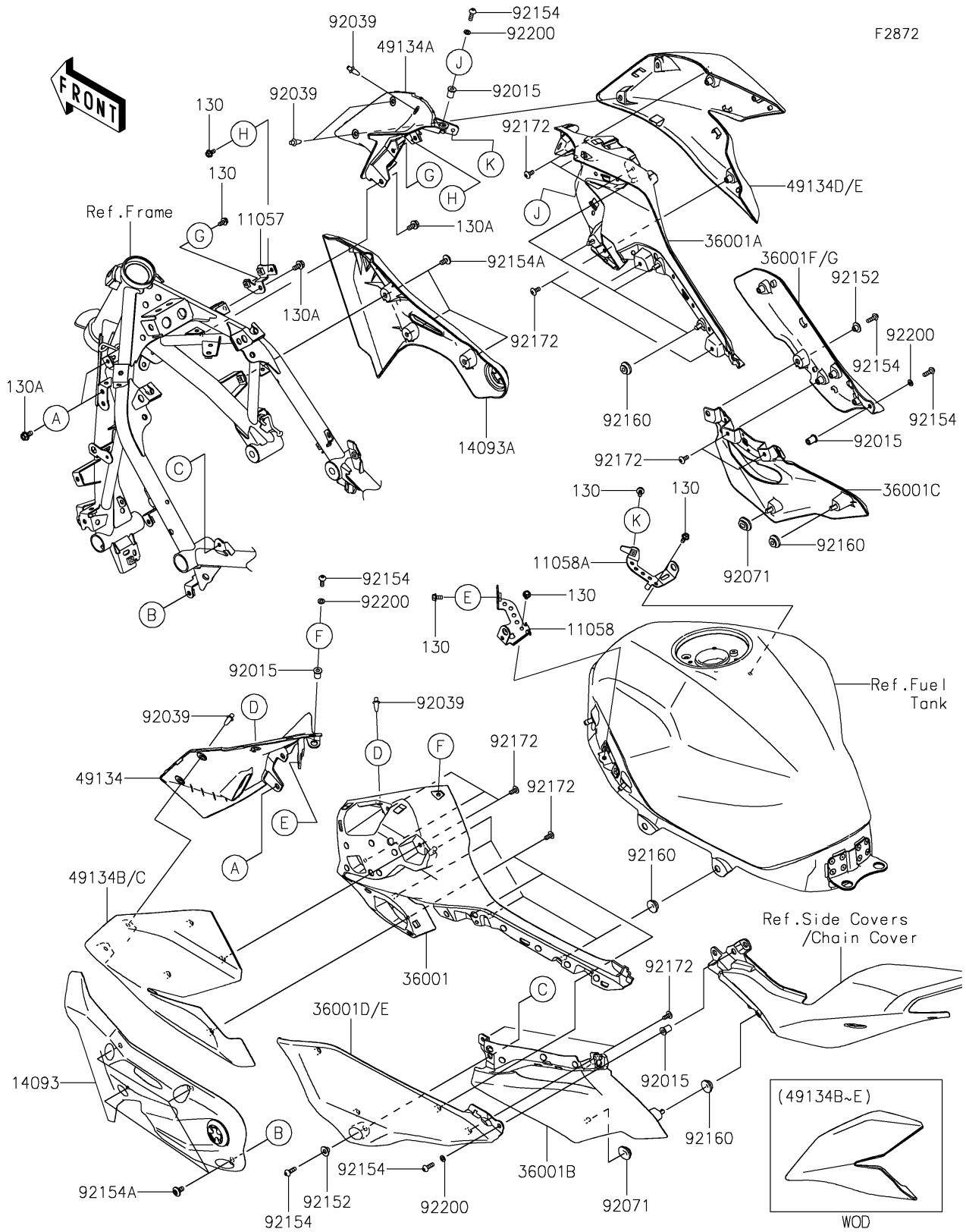


# 2025 Z500 PARTS DIAGRAM

## Cowling Lower



## 2025 Z500 PARTS LIST

### Cowling Lowers

ITEM NAME	PART NUMBER	QUANTITY
BRACKET,SHROUD,INNER,RH,LWR (Ref # 11057)	11057-1721	1
BRACKET,SHROUD INNER,LH (Ref # 11058)	11058-1185	1
BRACKET,SHROUD INNER,RH (Ref # 11058A)	11058-1186	1
COVER,RADIATOR,LH (Ref # 14093)	14093-1537	1
COVER,RADIATOR,RH (Ref # 14093A)	14093-1538	1
COVER-SIDE,LH,UPP (Ref # 36001)	36001-0755	1
COVER-SIDE,RH,UPP (Ref # 36001A)	36001-0756	1
COVER-SIDE,LH,LWR (Ref # 36001B)	36001-0759	1
COVER-SIDE,RH,LWR (Ref # 36001C)	36001-0760	1
COVER-SIDE,LH,CNT,M.M.G.GRAY (Ref # 36001E)	36001-0798-68P	1
COVER-SIDE,RH,CNT,M.M.G.GRAY (Ref # 36001G)	36001-0799-68P	1
SHROUD,LH,INNER (Ref # 49134)	49134-0030	1
SHROUD,RH,INNER (Ref # 49134A)	49134-0031	1
SHROUD,LH,OUTER,M.S.BLACK (Ref # 49134B)	49134-0032-660	1
SHROUD,RH,OUTER,M.S.BLACK (Ref # 49134D)	49134-0033-660	1
NUT,WELL,5MM (Ref # 92015)	92015-1757	4
RIVET (Ref # 92039)	92039-0709	6
GROMMET,20X24X7.5 (Ref # 92071)	92071-0766	2
COLLAR,5.2X7.8X7.2 (Ref # 92152)	92152-2371	2
BOLT,SOCKET,5X16 (Ref # 92154)	92154-4294	6
BOLT,SOCKET,6X12 (Ref # 92154A)	92154-4310	7
DAMPER (Ref # 92160)	92160-1613	10
SCREW,5X12 (Ref # 92172)	92172-0821	16
WASHER,5.2X10X1 (Ref # 92200)	92200-2286	4
BOLT-FLANGED,5X10 (Ref # 130)	130BA0510	6
BOLT-FLANGED,6X12 (Ref # 130A)	130BB0612	4