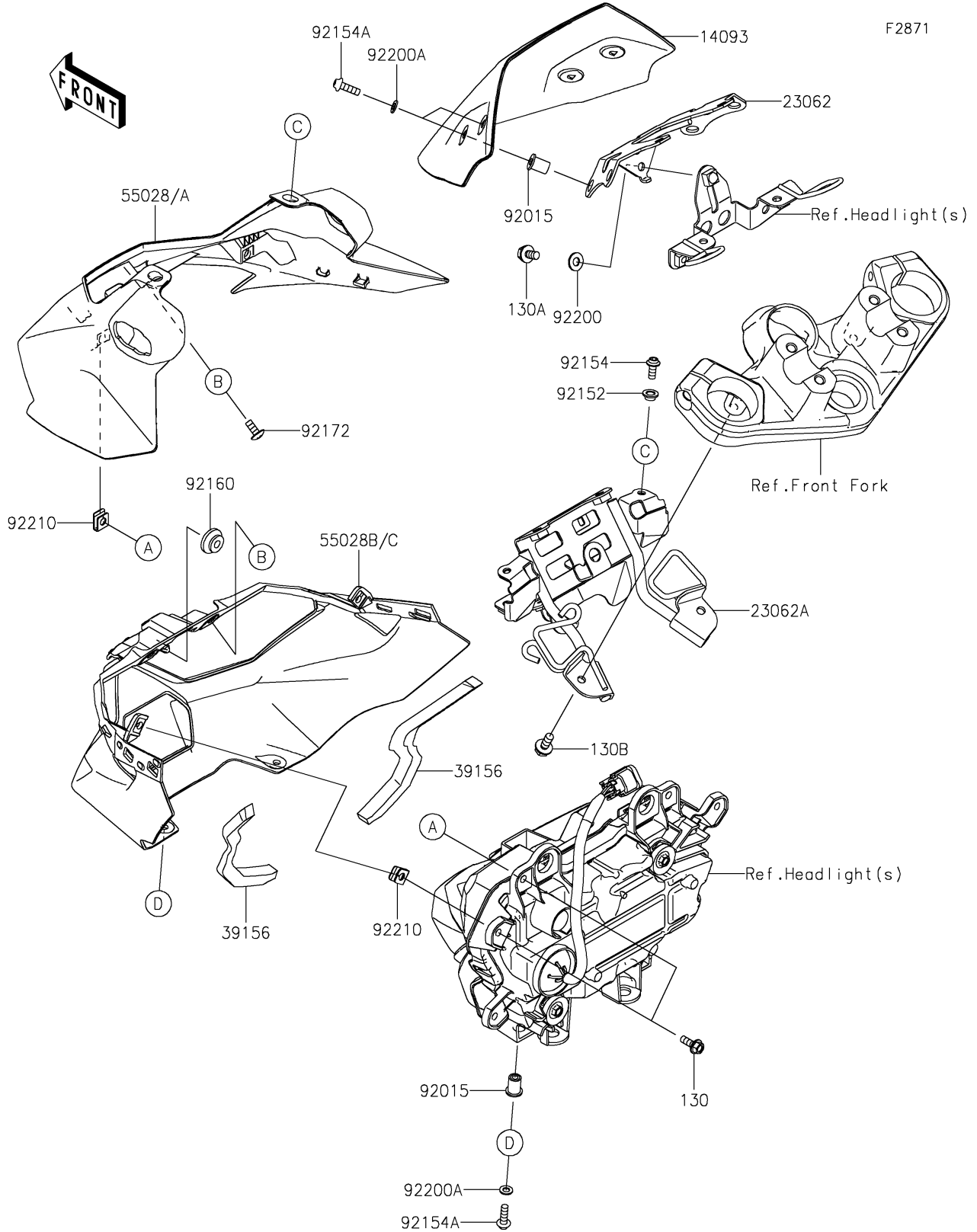


# 2025 Z500 ABS PARTS DIAGRAM

Cowling



## 2025 Z500 ABS PARTS LIST

### Cowling

| ITEM NAME                              | PART NUMBER    | QUANTITY |
|--|----------------|----------|
| COVER,METER (Ref # 14093)              | 14093-1536     | 1        |
| BRACKET-COMP,METER COVER (Ref # 23062) | 23062-1484     | 1        |
| BRACKET-COMP,METER (Ref # 23062A)      | 23062-1485     | 1        |
| PAD,180X10X10 (Ref # 39156)            | 39156-2870     | 2        |
| COWLING,UPP,M.S.BLACK (Ref # 55028A)   | 55028-0890-660 | 1        |
| COWLING,LWR,M.M.G.GRAY (Ref # 55028C)  | 55028-0891-68P | 1        |
| NUT,WELL,5MM (Ref # 92015)             | 92015-1757     | 6        |
| COLLAR,6X8X4.5 (Ref # 92152)           | 92152-2395     | 2        |
| BOLT,SOCKET,5X12 (Ref # 92154)         | 92154-4289     | 2        |
| BOLT,SOCKET,5X16 (Ref # 92154A)        | 92154-4294     | 6        |
| DAMPER (Ref # 92160)                   | 92160-1613     | 1        |
| SCREW,5X12 (Ref # 92172)               | 92172-0821     | 2        |
| WASHER,6.5X14X1.2 (Ref # 92200)        | 92200-0964     | 1        |
| WASHER,5.2X10X1 (Ref # 92200A)         | 92200-2286     | 6        |
| NUT (Ref # 92210)                      | 92210-0571     | 4        |
| BOLT-FLANGED,5X14 (Ref # 130)          | 130BA0514      | 4        |
| BOLT-FLANGED,6X10 (Ref # 130A)         | 130BA0610      | 1        |
| BOLT-FLANGED,6X14 (Ref # 130B)         | 130BA0614      | 2        |