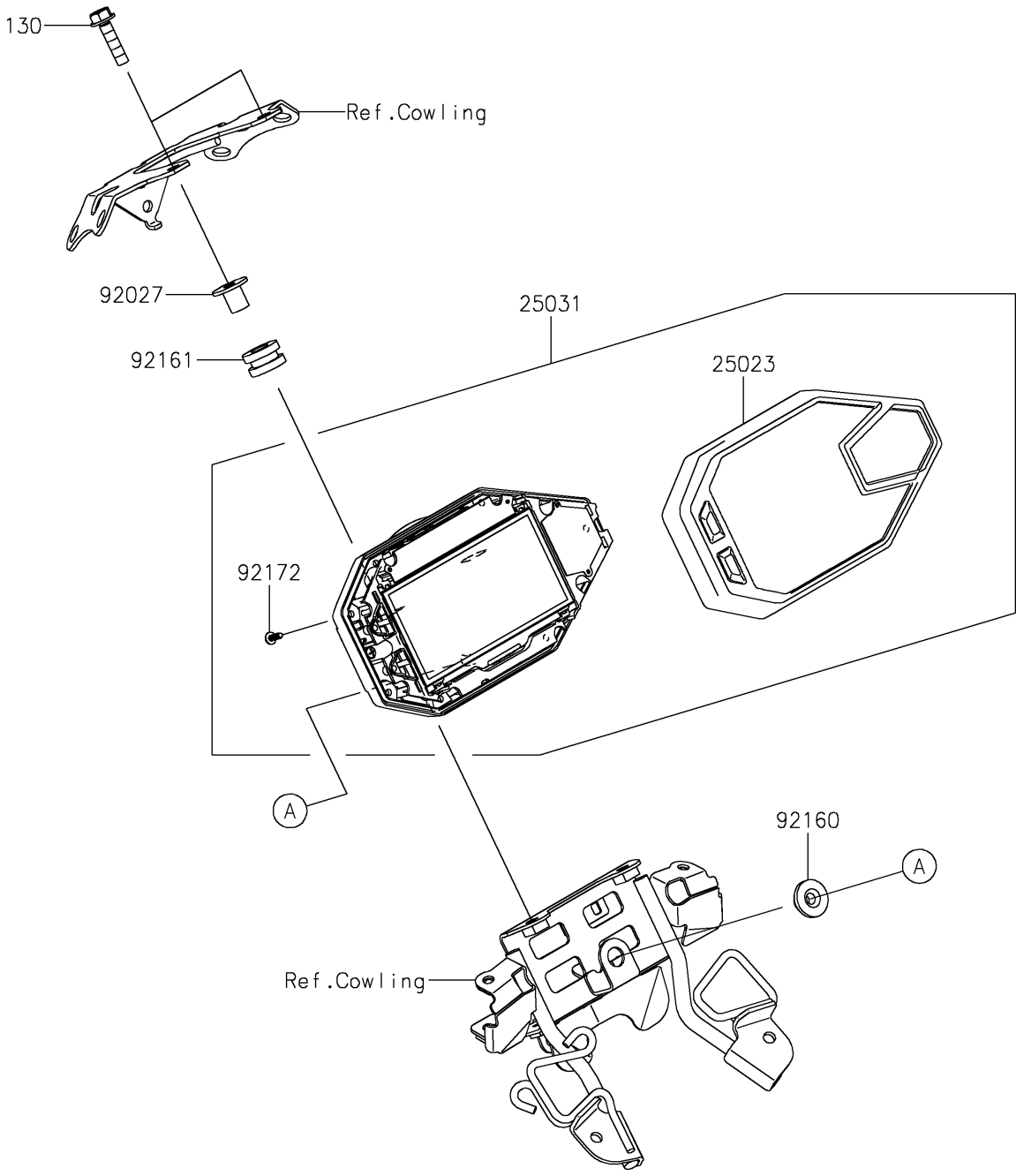


# 2025 Z500 PARTS DIAGRAM

Meter(s)

F2530



## 2025 Z500 PARTS LIST

Meter(s)

ITEM NAME	PART NUMBER	QUANTITY
COVER-METER CASE,UPP (Ref # 25023)	25023-0156	1
METER-ASSY,COMBINATION (Ref # 25031)	25031-1366	1
COLLAR,6.5X10X14.1 (Ref # 92027)	92027-1183	2
DAMPER (Ref # 92160)	92160-1613	1
DAMPER,10X20X12 (Ref # 92161)	92161-2102	2
SCREW,TAPPING,3X14 (Ref # 92172)	92172-1571	7
BOLT-FLANGED,6X25 (Ref # 130)	130BB0625	2