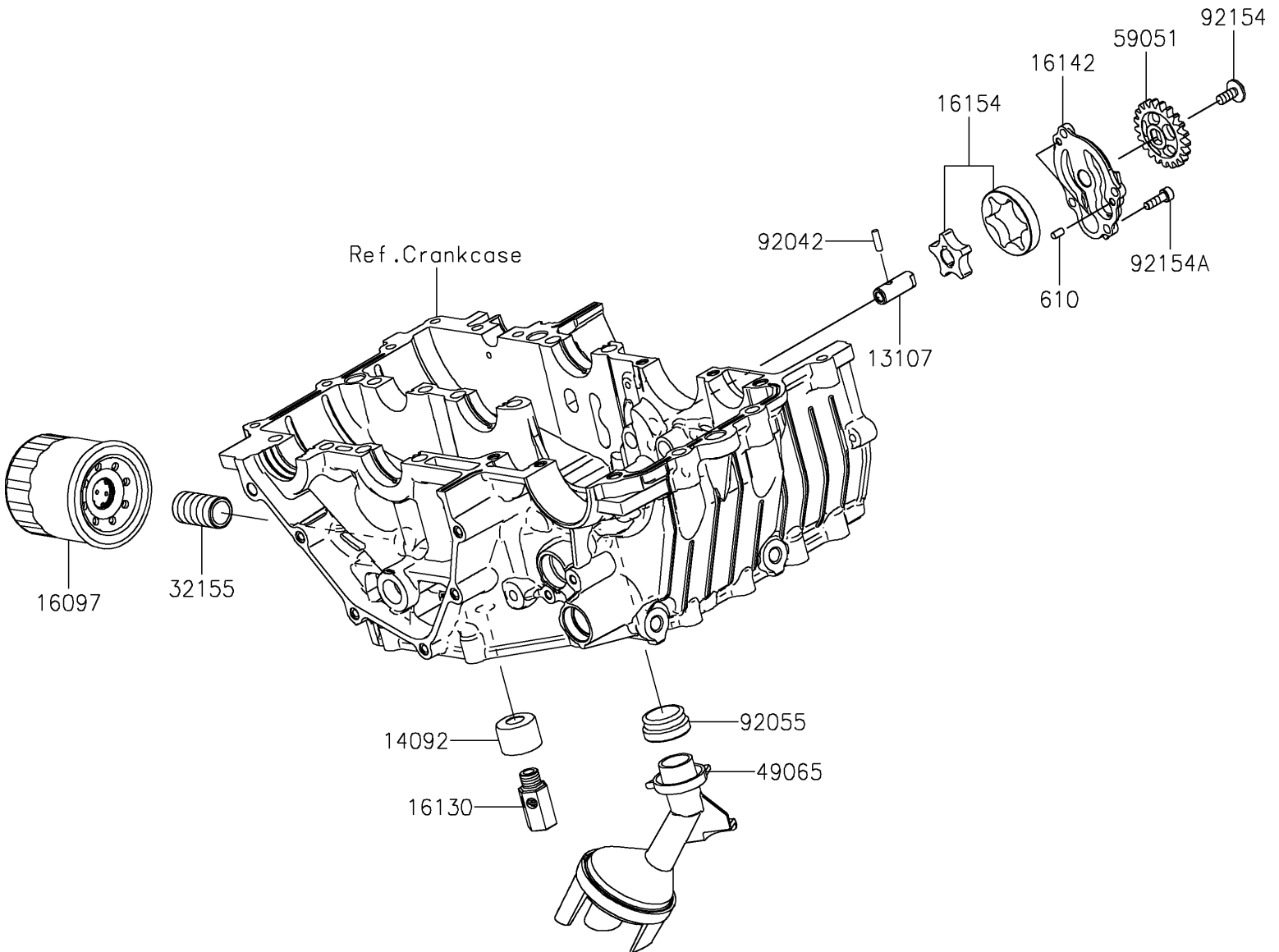


# 2025 Z500 ABS PARTS DIAGRAM

Oil Pump/Oil Filter

E1710



## 2025 Z500 ABS PARTS LIST

### Oil Pump/Oil Filter

| ITEM NAME                            | PART NUMBER | QUANTITY |
|--------------------------------------|-------------|----------|
| SHAFT (Ref # 13107)                  | 13107-0905  | 1        |
| COVER,RELIEF VALVE (Ref # 14092)     | 14092-1002  | 1        |
| FILTER-ASSY-OIL (Ref # 16097)        | 16097-0552  | 1        |
| VALVE-ASSY-RELIEF (Ref # 16130)      | 16130-0006  | 1        |
| COVER-PUMP (Ref # 16142)             | 16142-0748  | 1        |
| ROTOR-PUMP (Ref # 16154)             | 16154-0738  | 1        |
| PIPE,OIL FILTER (Ref # 32155)        | 32155-0029  | 1        |
| FILTER-OIL (Ref # 49065)             | 49065-0048  | 1        |
| GEAR-SPUR,OIL PUMP,21T (Ref # 59051) | 59051-0797  | 1        |
| PIN,DOWEL,4X13.8 (Ref # 92042)       | 92042-030   | 1        |
| RING-O,OIL FILTER (Ref # 92055)      | 92055-1354  | 1        |
| BOLT,SOCKET,6X14 (Ref # 92154)       | 92154-2731  | 1        |
| BOLT,SOCKET,5X16 (Ref # 92154A)      | 92154-2792  | 4        |
| ROLLER,4X8 (Ref # 610)               | 610A0408    | 2        |