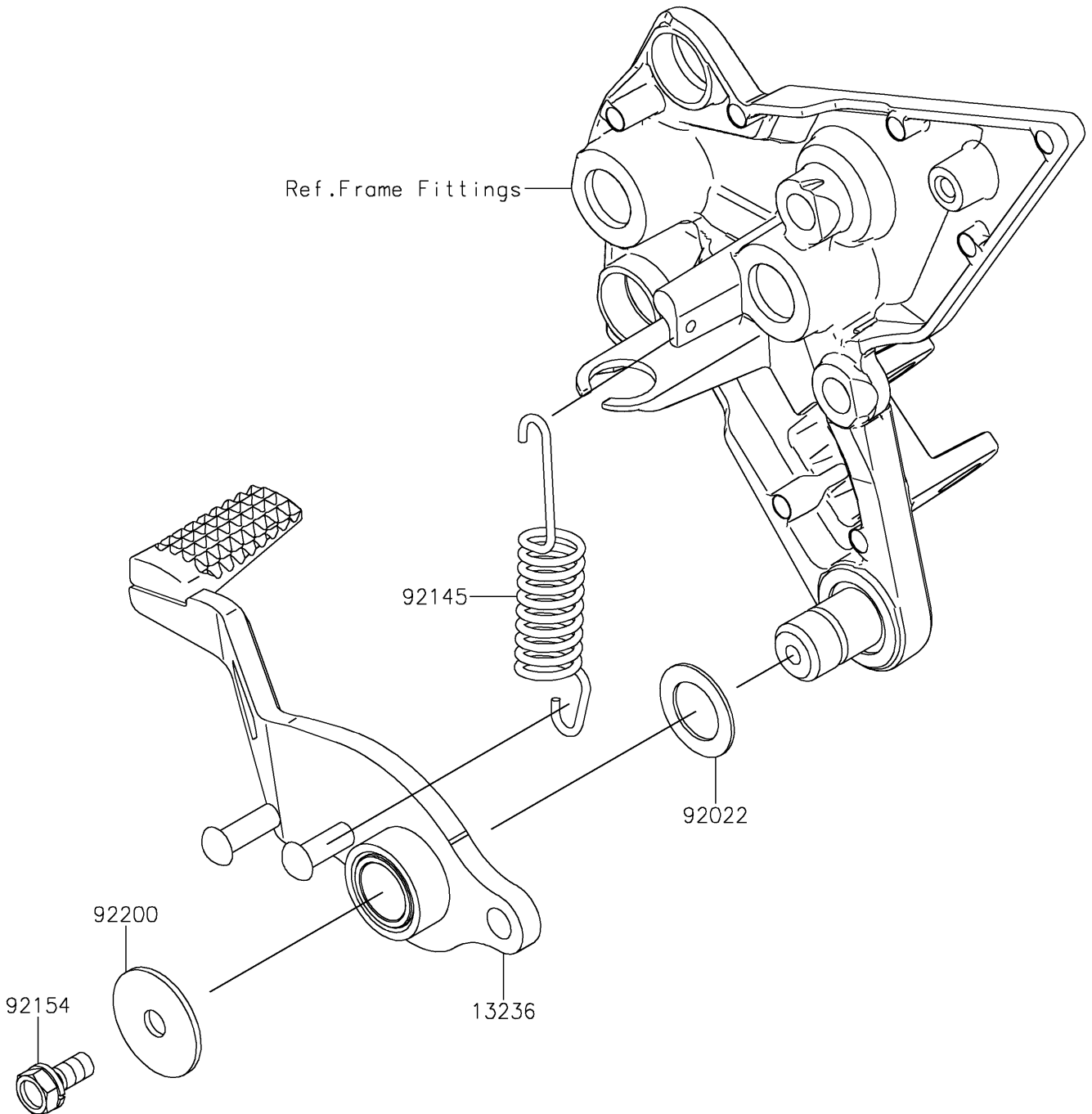


2025 Ninja 1100SX PARTS DIAGRAM

Brake Pedal/Torque Link

F2260



2025 Ninja 1100SX PARTS LIST

Brake Pedal/Torque Link

ITEM NAME	PART NUMBER	QUANTITY
LEVER-COMP (Ref # 13236)	13236-0741	1
WASHER,15.3X24X1 (Ref # 92022)	92022-326	1
SPRING,2.0X70 (Ref # 92145)	92145-1753	1
BOLT,UPSET-WS,6X14 (Ref # 92154)	92154-0293	1
WASHER,7X28X1.6 (Ref # 92200)	92200-0279	1