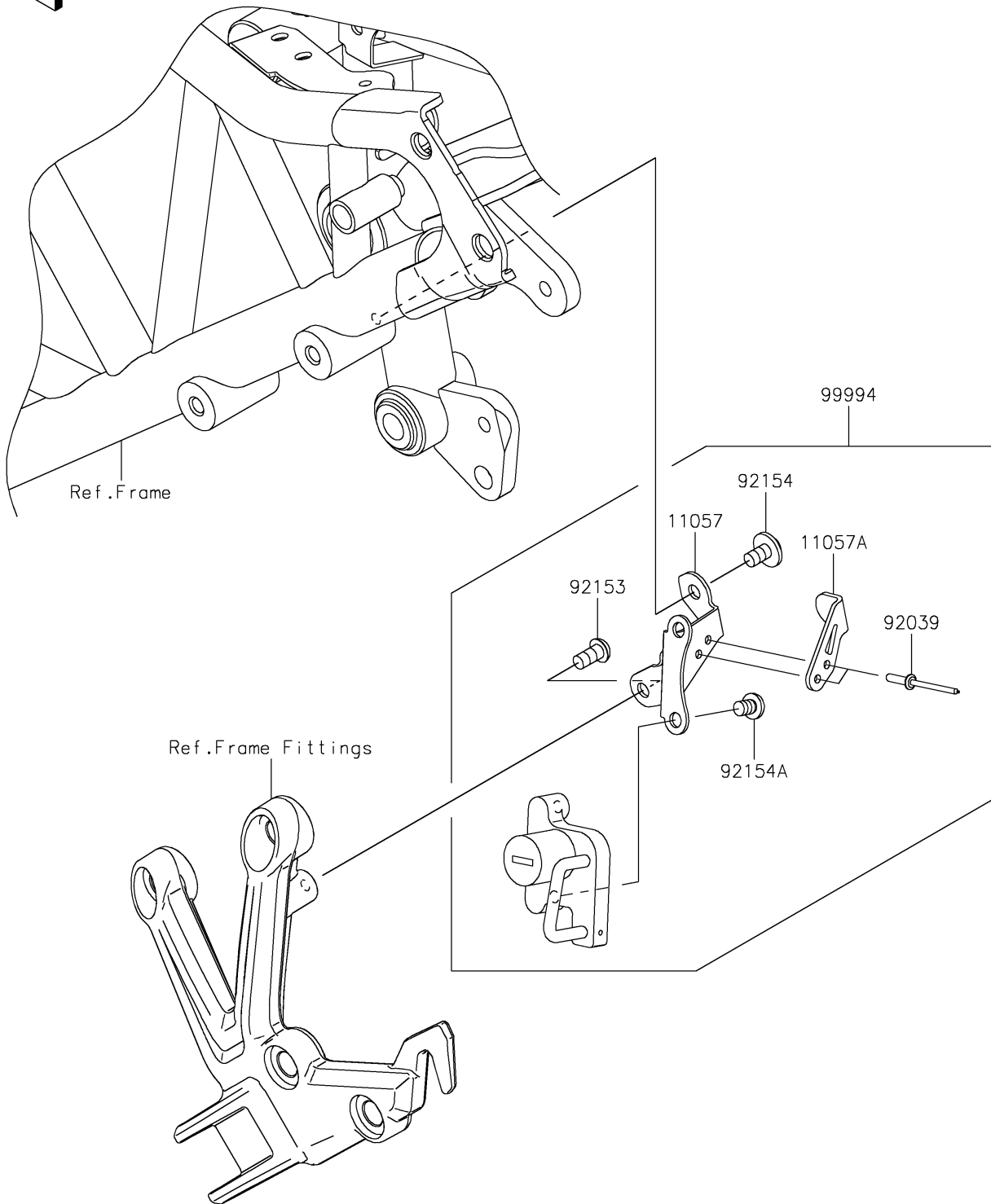


2025 NINJA H2® SX SE ABS PARTS DIAGRAM

Accessory(Safety and Security)

F2910D



2025 NINJA H2® SX SE ABS PARTS LIST

Accessory(Safety and Security)

ITEM NAME	PART NUMBER	QUANTITY
BRACKET (Ref # 11057)	11057-1450	1
BRACKET (Ref # 11057A)	11057-1648	1
RIVET,HOLE 3.5MM (Ref # 92039)	92039-0089	2
BOLT,6X12 (Ref # 92153)	92153-0906	1
BOLT,SOCKET,6X10 (Ref # 92154)	92154-1834	1
BOLT,ONE SIDE,6X8 (Ref # 92154A)	92154-2948	2
HELMET LOCK KIT (Ref # 99994)	99994-1589	1