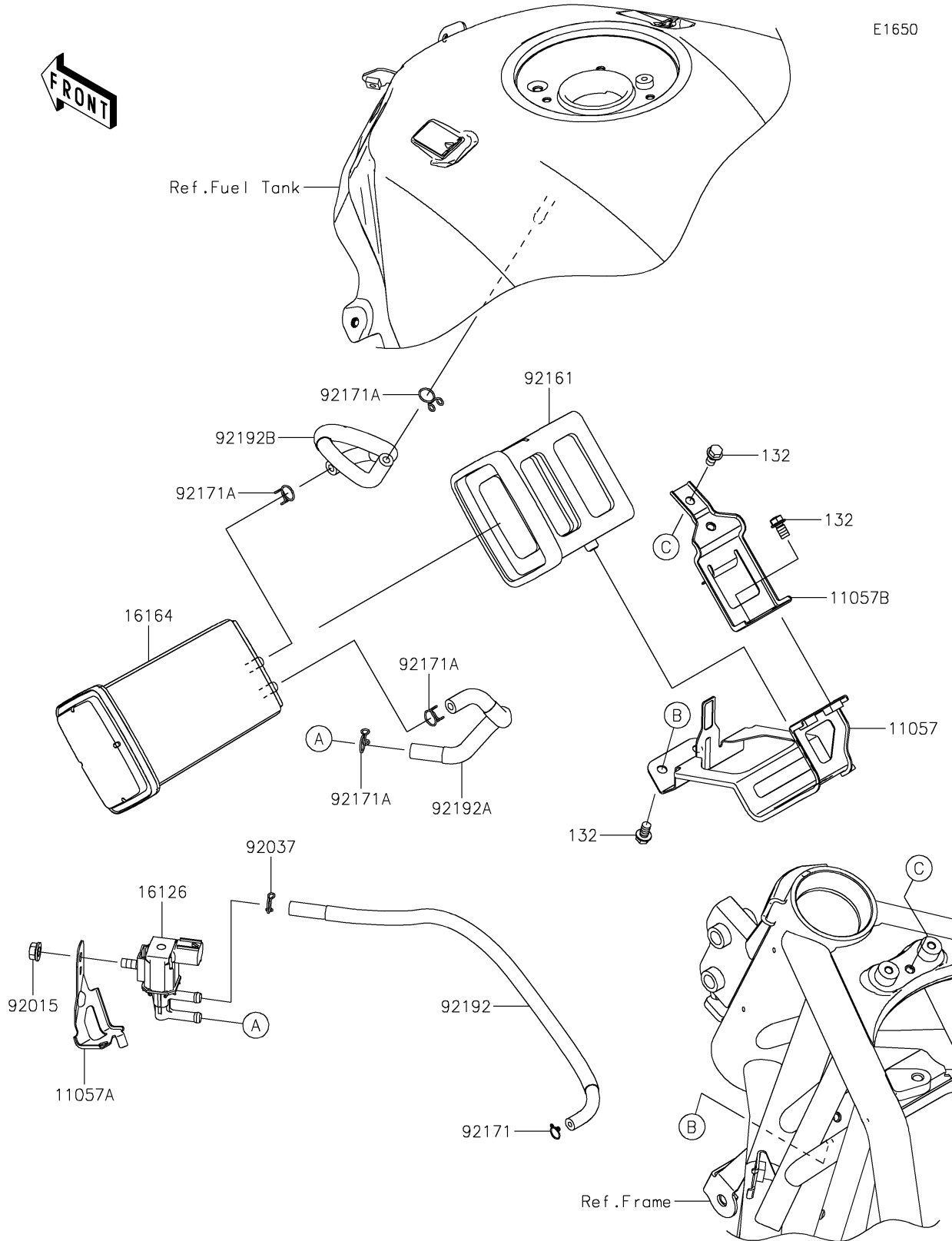


2025 NINJA H2® SX SE ABS PARTS DIAGRAM

Fuel Evaporative System



2025 NINJA H2® SX SE ABS PARTS LIST

Fuel Evaporative System

ITEM NAME	PART NUMBER	QUANTITY
BRACKET,CANISTER,LWR (Ref # 11057)	11057-1202	1
BRACKET,PVC VALVE (Ref # 11057A)	11057-1204	1
BRACKET,CANISTER,UPP (Ref # 11057B)	11057-7256	1
VALVE,PCV (Ref # 16126)	16126-0731	1
CANISTER (Ref # 16164)	16164-0012	1
NUT,FLANGED,6MM (Ref # 92015)	92015-1367	1
CLAMP (Ref # 92037)	92037-1712	1
DAMPER,CANISTER (Ref # 92161)	92161-1715	1
CLAMP (Ref # 92171)	92171-0573	1
CLAMP (Ref # 92171A)	92171-0718	4
TUBE,THROTTLE BODY-PVC VALVE (Ref # 92192)	92192-1830	1
TUBE,CANISTER-PVC VALVE (Ref # 92192A)	92192-1831	1
TUBE,CANISTER-FUEL TANK (Ref # 92192B)	92192-1832	1
BOLT-FLANGED-SMALL,6X10 (Ref # 132)	132BA0610	5