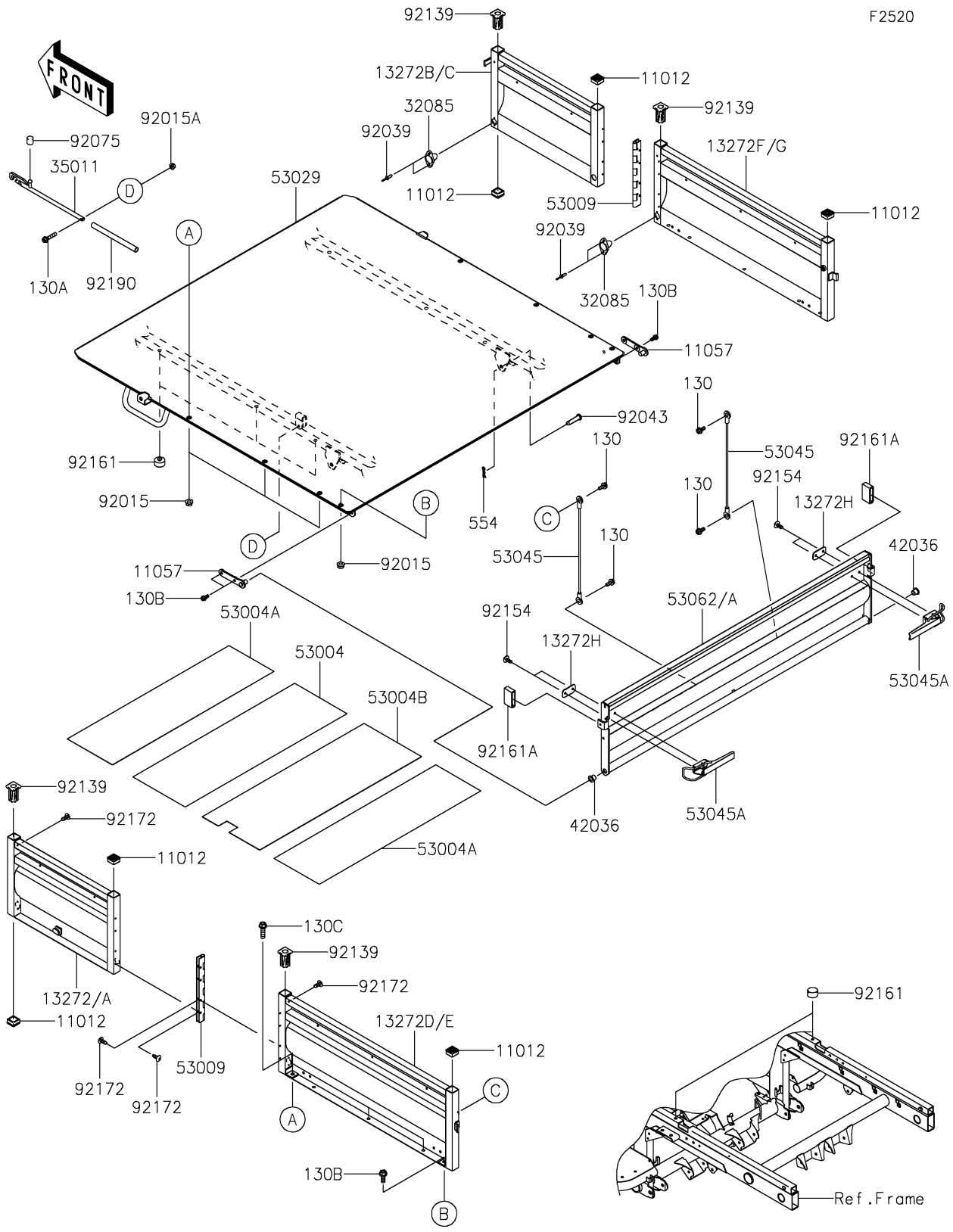


# 2024 MULE™ 4010 TRANS4x4® PARTS DIAGRAM

Carrier(s)



## 2024 MULE™ 4010 TRANS4x4® PARTS LIST

Carrier(s)

| ITEM NAME                                    | PART NUMBER    | QUANTITY |
|--|----------------|----------|
| CAP (Ref # 11012)                            | 11012-1784     | 6        |
| BRACKET, TAIL GATE (Ref # 11057)             | 11057-1623     | 2        |
| PLATE, SIDE, FR, LH, D.R. RED (Ref # 13272)  | 13272-2896-16M | 1        |
| PLATE, SIDE, FR, LH, T. GREEN (Ref # 13272A) | 13272-2896-42T | 1        |
| PLATE, SIDE, FR, RH, D.R. RED (Ref # 13272B) | 13272-2897-16M | 1        |
| PLATE, SIDE, FR, RH, T. GREEN (Ref # 13272C) | 13272-2897-42T | 1        |
| PLATE, SIDE, RR, LH, D.R. RED (Ref # 13272D) | 13272-2898-16M | 1        |
| PLATE, SIDE, RR, LH, T. GREEN (Ref # 13272E) | 13272-2898-42T | 1        |
| PLATE, SIDE, RR, RH, D.R. RED (Ref # 13272F) | 13272-2899-16M | 1        |
| PLATE, SIDE, RR, RH, T. GREEN (Ref # 13272G) | 13272-2899-42T | 1        |
| PLATE (Ref # 13272H)                         | 13272-7516     | 2        |
| STOPPER (Ref # 32085)                        | 32085-7501     | 4        |
| STAY, CARRIER STOPPER (Ref # 35011)          | 35011-1648     | 1        |
| SLEEVE (Ref # 42036)                         | 42036-0839     | 2        |
| MAT, CARRIER (Ref # 53004)                   | 53004-0639     | 1        |
| MAT, CARRIER (Ref # 53004A)                  | 53004-0640     | 2        |
| MAT, CARRIER (Ref # 53004B)                  | 53004-0641     | 1        |
| HINGE (Ref # 53009)                          | 53009-0031     | 2        |
| CARRIER, BASE PLATE, BLACK (Ref # 53029)     | 53029-0366-10  | 1        |
| HOOK-ASSY, CABLE (Ref # 53045)               | 53045-0030     | 2        |
| HOOK-ASSY (Ref # 53045A)                     | 53045-0033     | 2        |
| GATE-TAIL, D.R. RED (Ref # 53062)            | 53062-0029-16M | 1        |
| GATE-TAIL, T. GREEN (Ref # 53062A)           | 53062-0029-42T | 1        |
| NUT, FLANGED, 8MM (Ref # 92015)              | 92015-1014     | 8        |
| NUT, LOCK, FLANGED, 6MM (Ref # 92015A)       | 92015-1675     | 1        |
| RIVET (Ref # 92039)                          | 92039-1150     | 8        |
| PIN, 12X65 (Ref # 92043)                     | 92043-1428     | 2        |
| DAMPER (Ref # 92075)                         | 92075-1817     | 1        |
| BUSHING, REAR SCREEN (Ref # 92139)           | 92139-7501     | 4        |

## 2024 MULE™ 4010 TRANS4x4® PARTS LIST

Carrier(s)

| ITEM NAME                        | PART NUMBER | QUANTITY |
|----------------------------------|-------------|----------|
| BOLT,SOCKET,6X14 (Ref # 92154)   | 92154-4238  | 4        |
| DAMPER (Ref # 92161)             | 92161-7510  | 8        |
| DAMPER (Ref # 92161A)            | 92161-7519  | 2        |
| SCREW,TAPPING,6X16 (Ref # 92172) | 92172-0739  | 20       |
| TUBE,13X16X200 (Ref # 92190)     | 92190-1401  | 1        |
| BOLT-FLANGED,6X10 (Ref # 130)    | 130BA0610   | 4        |
| BOLT-FLANGED,6X30 (Ref # 130A)   | 130BA0630   | 1        |
| BOLT-FLANGED,8X20 (Ref # 130B)   | 130BA0820   | 6        |
| BOLT-FLANGED,8X30 (Ref # 130C)   | 130BA0830   | 6        |
| PIN-SNAP,12MM (Ref # 554)        | 554DA1200   | 2        |