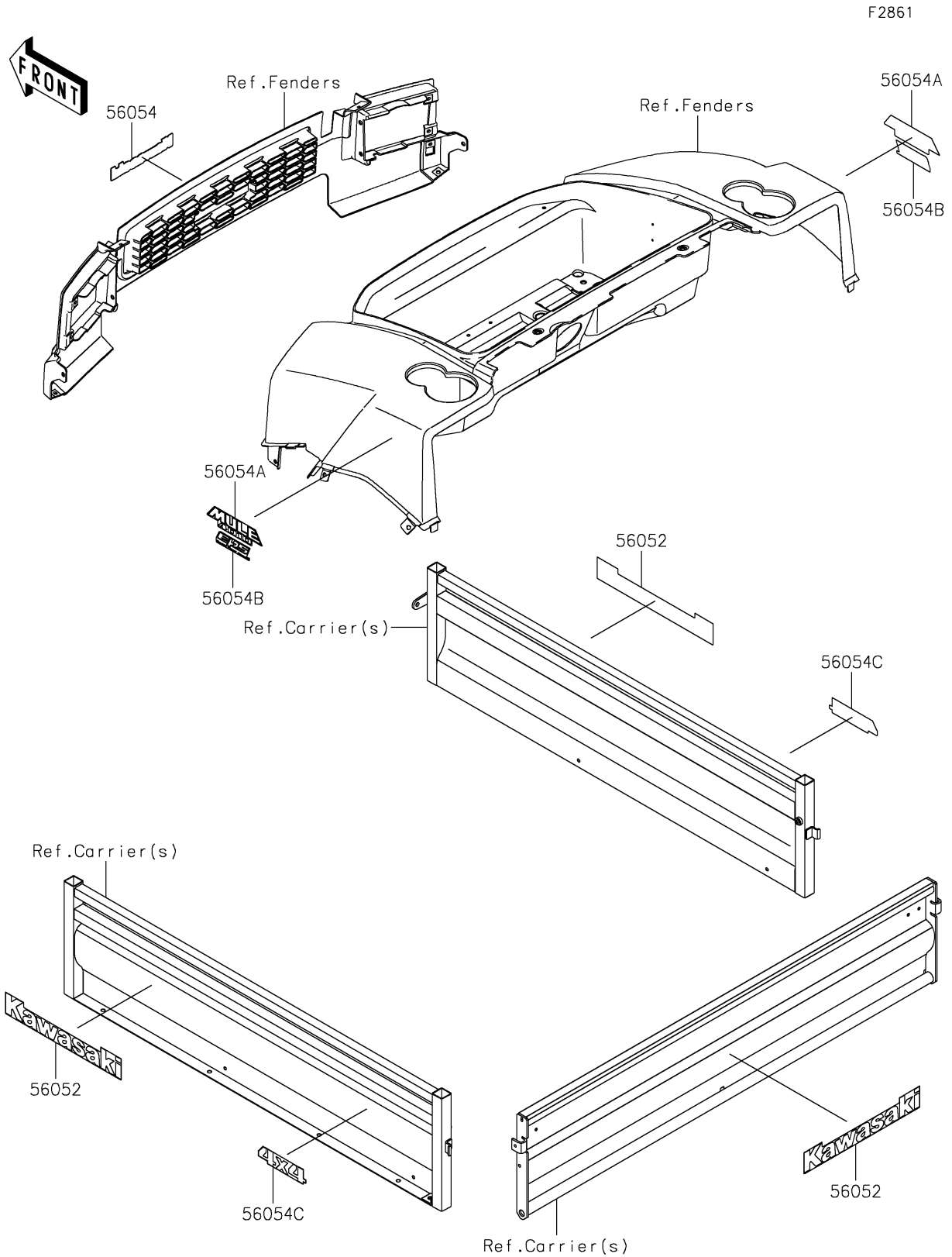


2025 MULE™ 4010 4x4 PARTS DIAGRAM

Decals



2025 MULE™ 4010 4x4 PARTS LIST

Decals

| ITEM NAME | PART NUMBER | QUANTITY |
|---|-------------|----------|
| MARK,KAWASAKI (Ref # 56052) | 56052-1809 | 3 |
| MARK,FRONT GRILL,KAWASAKI (Ref # 56054) | 56054-0216 | 1 |
| MARK,FR FENDER,MULE4010 (Ref # 56054A) | 56054-1807 | 2 |
| MARK,FR FENDER,EPS (Ref # 56054B) | 56054-1808 | 2 |
| MARK,SIDE PLATE,4X4 (Ref # 56054C) | 56054-1809 | 2 |