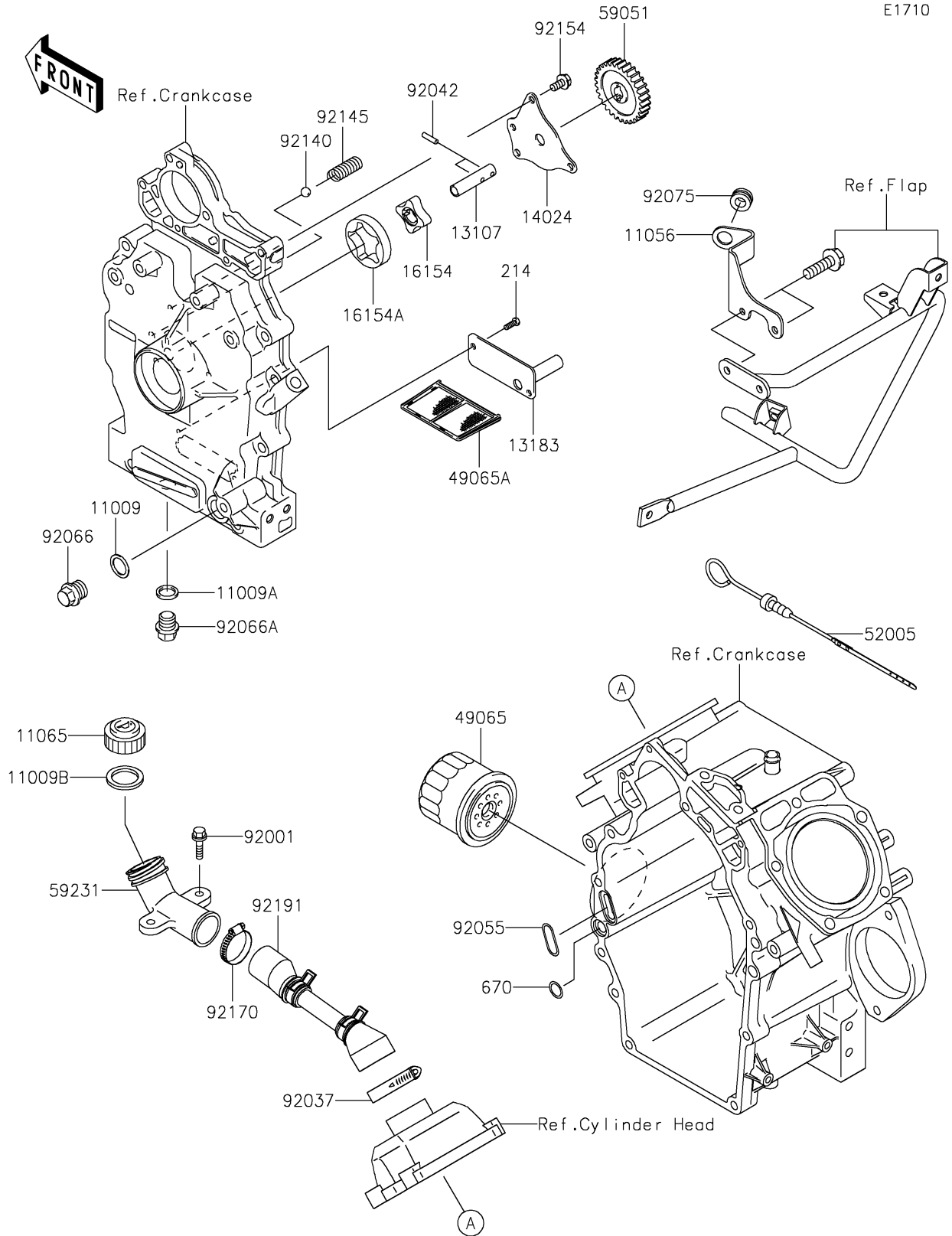


2024 MULE™ 4010 4x4 PARTS DIAGRAM

Oil Pump/Oil Filter



2024 MULE™ 4010 4x4 PARTS LIST

Oil Pump/Oil Filter

| ITEM NAME | PART NUMBER | QUANTITY |
|---------------------------------|-------------|----------|
| GASKET,16.2X22X1 (Ref # 11009) | 11009-1467 | 1 |
| GASKET (Ref # 11009A) | 11009-2175 | 1 |
| GASKET,OIL GAUGE (Ref # 11009B) | 11009-2346 | 1 |
| BRACKET,OIL PIPE (Ref # 11056) | 11056-4081 | 1 |
| CAP (Ref # 11065) | 11065-1487 | 1 |
| SHAFT,OIL PUMP (Ref # 13107) | 13107-2296 | 1 |
| PLATE (Ref # 13183) | 13183-2419 | 1 |
| COVER,OIL PUMP (Ref # 14024) | 14024-2113 | 1 |
| ROTOR-PUMP,IN (Ref # 16154) | 16154-2053 | 1 |
| ROTOR-PUMP,OUT (Ref # 16154A) | 16154-2054 | 1 |
| FILTER-OIL (Ref # 49065) | 49065-2071 | 1 |
| FILTER-OIL (Ref # 49065A) | 49065-2072 | 1 |
| GAUGE (Ref # 52005) | 52005-0747 | 1 |
| GEAR-SPUR (Ref # 59051) | 59051-2114 | 1 |
| FILLER (Ref # 59231) | 59231-0756 | 1 |
| BOLT,WP,6X20 (Ref # 92001) | 92001-1460 | 2 |
| CLAMP (Ref # 92037) | 92037-506 | 1 |
| PIN,DOWEL,4X15.8 (Ref # 92042) | 92042-014 | 2 |
| RING-O (Ref # 92055) | 92055-2086 | 1 |
| PLUG,16X11.5 (Ref # 92066) | 92066-2251 | 1 |
| PLUG,14X12 (Ref # 92066A) | 92066-2253 | 1 |
| DAMPER (Ref # 92075) | 92075-1409 | 1 |
| BALL,STEEL,13/32 (Ref # 92140) | 92140-7003 | 1 |
| SPRING,OIL RELIEF (Ref # 92145) | 92145-1809 | 1 |
| BOLT,6X12 (Ref # 92154) | 92154-2938 | 3 |
| CLAMP (Ref # 92170) | 92170-1036 | 1 |
| TUBE (Ref # 92191) | 92191-1579 | 1 |
| SCREW-PAN+-,5X12 (Ref # 214) | 214AA0512 | 2 |
| O RING,11MM (Ref # 670) | 670B2011 | 1 |