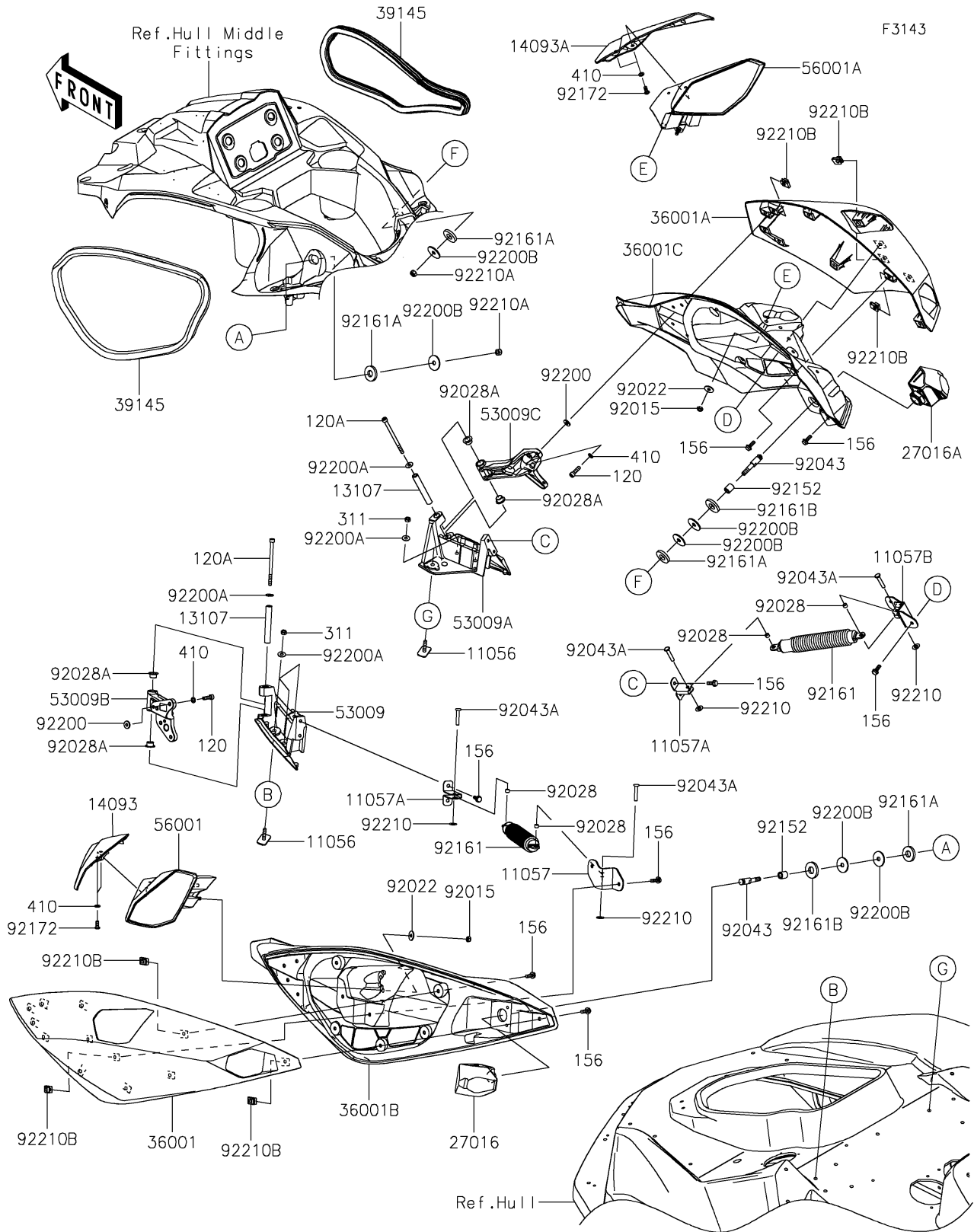


# 2025 Ultra 160LX-S Angler

## PARTS DIAGRAM

### Hull Fittings(Side Storage)



# 2025 Ultra 160LX-S Angler

## PARTS LIST

### Hull Fittings(Side Storage)

ITEM NAME	PART NUMBER	QUANTITY
BRACKET (Ref # 11056)	11056-3724	6
BRACKET,HATCH SIDE (Ref # 11057)	11057-7467	1
BRACKET,DECK SIDE (Ref # 11057A)	11057-7469	2
BRACKET,HATCH SIDE (Ref # 11057B)	11057-7470	1
SHAFT,FRONT HINGE (Ref # 13107)	13107-0944	2
COVER,MIRROR,LH,C.WHITE (Ref # 14093)	14093-1148-57Z	1
COVER,MIRROR,RH,C.WHITE (Ref # 14093A)	14093-1149-57Z	1
LOCK-ASSY,SIDE COVER,LH (Ref # 27016)	27016-0103	1
LOCK-ASSY,SIDE COVER,RH (Ref # 27016A)	27016-0104	1
COVER-SIDE,LH,M.C.GRAY (Ref # 36001)	36001-0710-57B	1
COVER-SIDE,RH,M.C.GRAY (Ref # 36001A)	36001-0711-57B	1
COVER-SIDE,LH,INNER (Ref # 36001B)	36001-0712	1
COVER-SIDE,RH,INNER (Ref # 36001C)	36001-0713	1
TRIM-SEAL (Ref # 39145)	39145-0779	2
HINGE,DECK SIDE (Ref # 53009)	53009-0308	1
HINGE,DECK SIDE (Ref # 53009A)	53009-0309	1
HINGE,HATCH SIDE (Ref # 53009B)	53009-0310	1
HINGE,HATCH SIDE (Ref # 53009C)	53009-0311	1
MIRROR-ASSY,LH (Ref # 56001)	56001-0440	1
MIRROR-ASSY,RH (Ref # 56001A)	56001-0441	1
NUT,LOCK,6MM (Ref # 92015)	92015-3766	4
WASHER,6.5X20X1.5 (Ref # 92022)	92022-3710	4
BUSHING (Ref # 92028)	92028-3765	4
BUSHING (Ref # 92028A)	92028-3770	4
PIN (Ref # 92043)	92043-0754	2
PIN,6X33 (Ref # 92043A)	92043-3748	4
COLLAR,8.2X14X16.2 (Ref # 92152)	92152-0979	2
DAMPER,HATCH (Ref # 92161)	92161-1581	2
DAMPER (Ref # 92161A)	92161-3739	4

# 2025 Ultra 160LX-S Angler

## PARTS LIST

### Hull Fittings(Side Storage)

ITEM NAME	PART NUMBER	QUANTITY
DAMPER (Ref # 92161B)	92161-3747	2
SCREW,TAPPING,6X14 (Ref # 92172)	92172-1428	4
WASHER,6.5X16X2.0 (Ref # 92200)	92200-1543	8
WASHER,6.5X16X1.0 (Ref # 92200A)	92200-3712	8
WASHER,8.5X32X2 (Ref # 92200B)	92200-3786	6
NUT,SPEED,6MM (Ref # 92210)	92210-3739	4
NUT,LOCK,8MM (Ref # 92210A)	92210-3742	2
NUT,6MM (Ref # 92210B)	92210-3768	24
BOLT-SOCKET,6X22 (Ref # 120)	120R0622	8
BOLT-SOCKET,6X95 (Ref # 120A)	120R0695	2
BOLT-WP,6X18 (Ref # 156)	156R0618	20
NUT-HEX,6MM (Ref # 311)	311R0600	6
WASHER-PLAIN-SMALL,6MM (Ref # 410)	410S0600	12