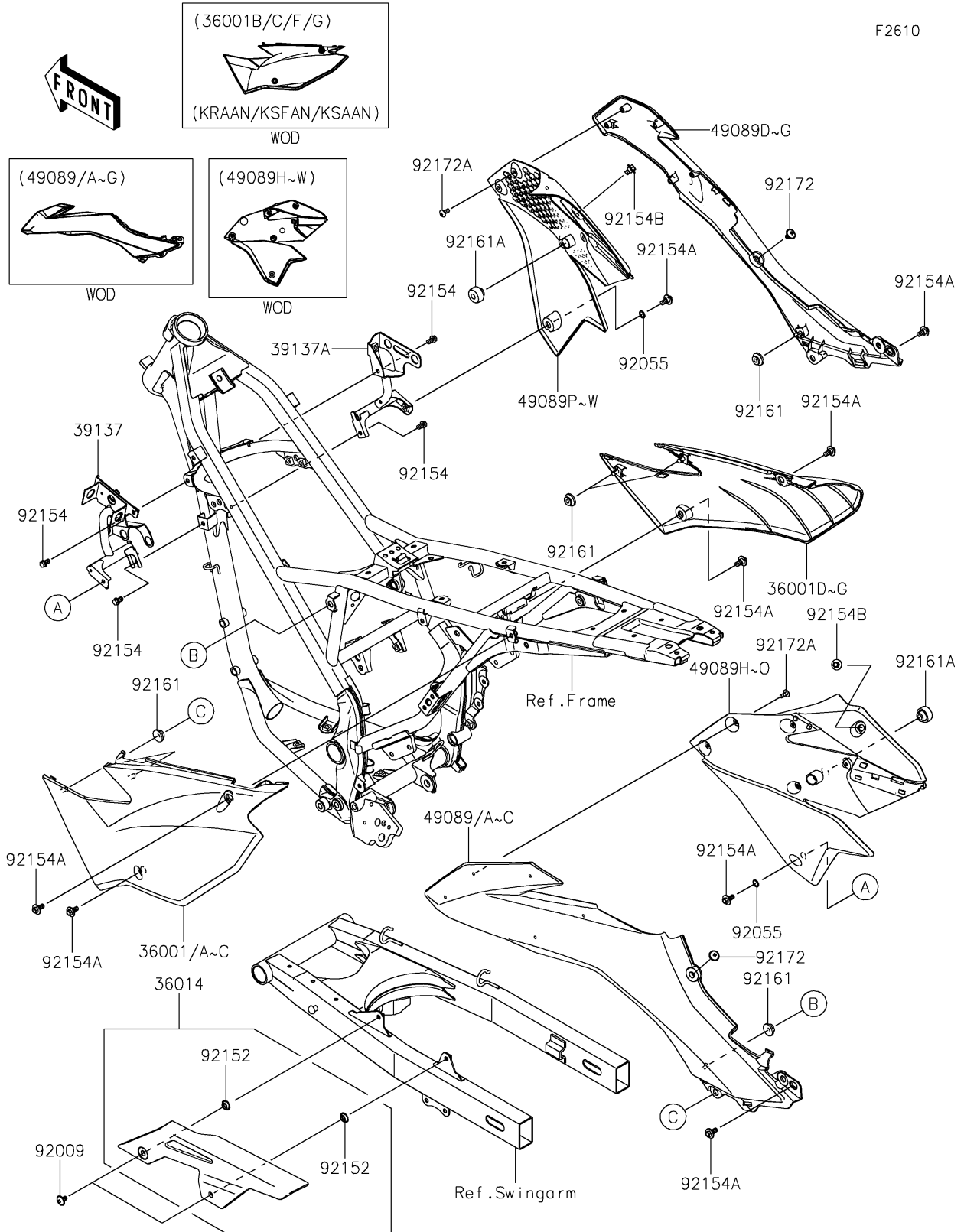


2024 KLX150L (Indonesia Only) PARTS DIAGRAM

Side Covers/Chain Cover



2024 KLX150L (Indonesia Only) PARTS LIST

Side Covers/Chain Cover

ITEM NAME	PART NUMBER	QUANTITY
COVER-SIDE,LH,B.WHITE (Ref # 36001)	36001-0723-266	1
COVER-SIDE,RH,B.WHITE (Ref # 36001D)	36001-0724-266	1
CASE-CHAIN (Ref # 36014)	36014-0560	1
STAY-COMP,LH (Ref # 39137)	39137-0722	1
STAY-COMP,RH (Ref # 39137A)	39137-0723	1
SHROUD-ENGINE,LH,UPP,L.GREEN (Ref # 49089)	49089-1159-290	1
SHROUD-ENGINE,RH,UPP,L.GREEN (Ref # 49089D)	49089-1160-290	1
SHROUD-ENGINE,LH,LWR,L.GREEN (Ref # 49089I)	49089-1161-290	1
SHROUD-ENGINE,RH,LWR,L.GREEN (Ref # 49089Q)	49089-1162-290	1
SCREW,6X10 (Ref # 92009)	92009-1729	2
RING-O (Ref # 92055)	92055-1023	2
COLLAR,8.8X16X4 (Ref # 92152)	92152-1731	2
BOLT,FLANGED,6X10 (Ref # 92154)	92154-0459	4
BOLT,FLANGED,6X13 (Ref # 92154A)	92154-4411	8
BOLT,FLANGED,6X10 (Ref # 92154B)	92154-7051	2
DAMPER (Ref # 92161)	92161-1531	6
DAMPER (Ref # 92161A)	92161-2444	2
SCREW,5X16 (Ref # 92172)	92172-0814	2
SCREW,5X12 (Ref # 92172A)	92172-1095	10