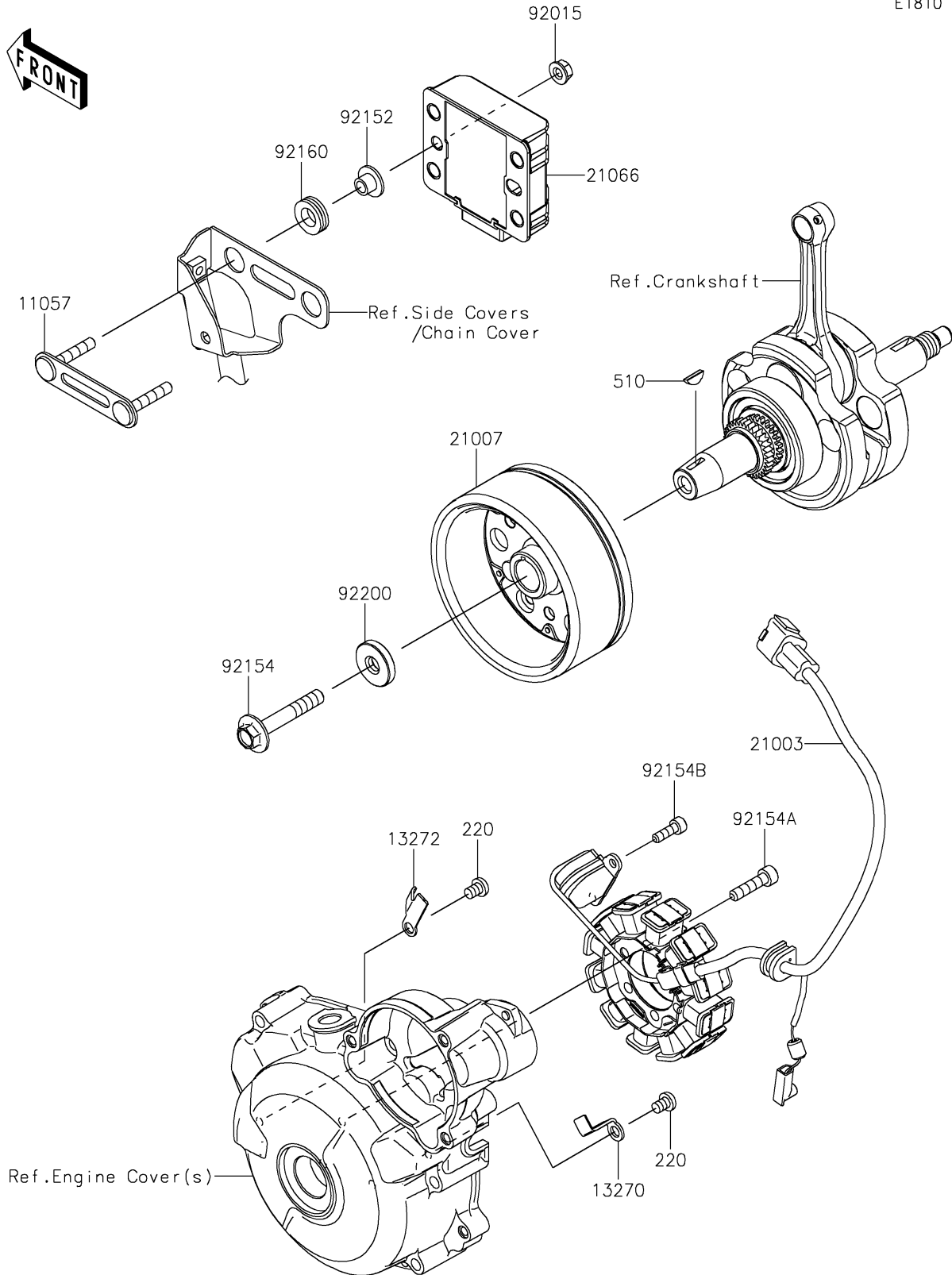


# 2024 KLX150L (Indonesia Only) PARTS DIAGRAM

Generator

E1810



## 2024 KLX150L (Indonesia Only) PARTS LIST

### Generator

ITEM NAME	PART NUMBER	QUANTITY
BRACKET (Ref # 11057)	11057-7855	1
PLATE (Ref # 13270)	13270-1961	1
PLATE (Ref # 13272)	13272-3959	1
STATOR (Ref # 21003)	21003-0213	1
ROTOR (Ref # 21007)	21007-0720	1
REGULATOR-VOLTAGE (Ref # 21066)	21066-0790	1
NUT,FLANGED,6MM (Ref # 92015)	92015-1367	2
COLLAR (Ref # 92152)	92152-0295	2
BOLT,FLANGED,8X50 (Ref # 92154)	92154-1153	1
BOLT,SOCKET,6X25 (Ref # 92154A)	92154-2769	3
BOLT (Ref # 92154B)	92154-4468	2
DAMPER (Ref # 92160)	92160-1278	2
WASHER,8.2X26X5 (Ref # 92200)	92200-1626	1
SCREW-PAN-CROS,6X8 (Ref # 220)	220AA0608	2
KEY-WOODRUFF (Ref # 510)	510A3200	1