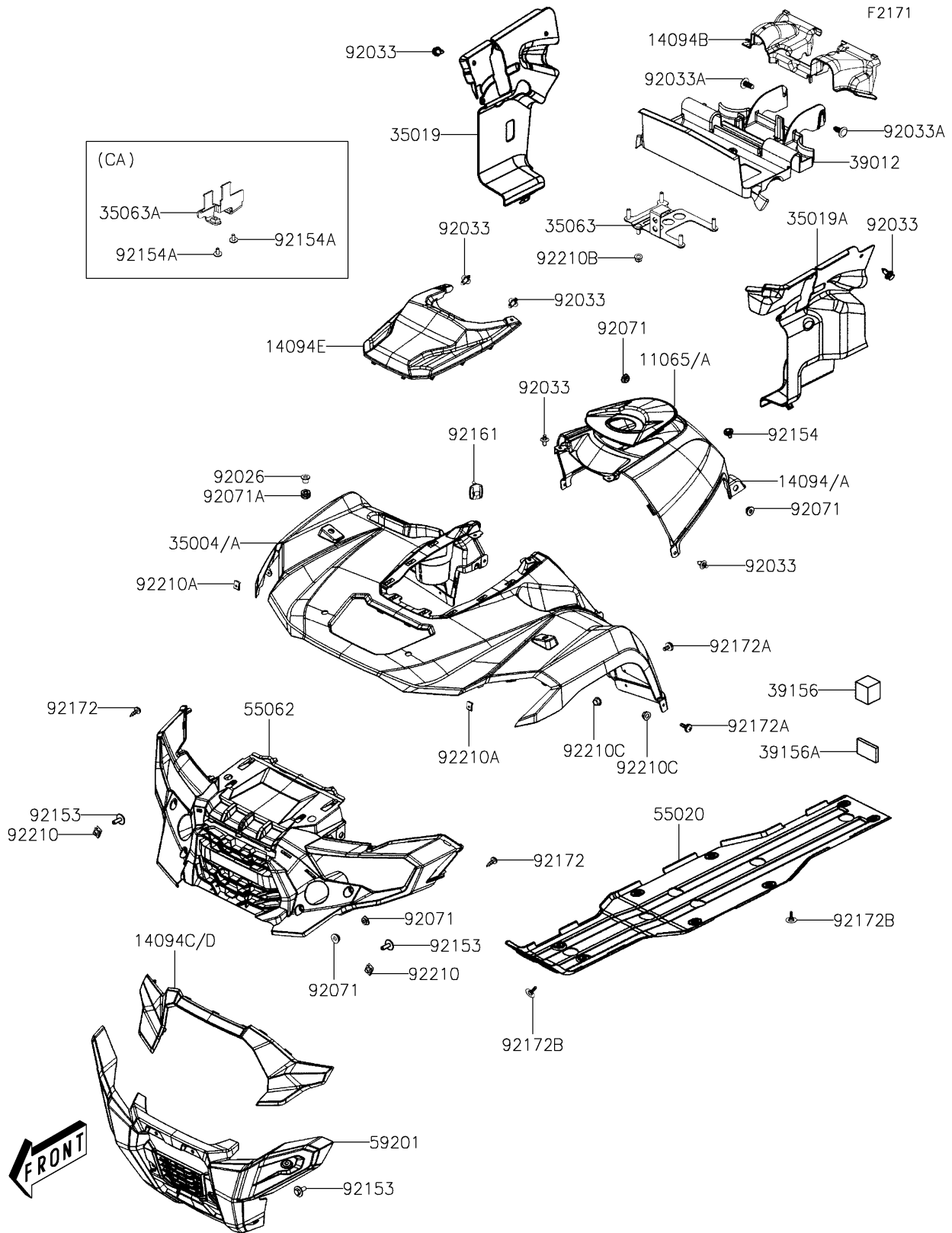


2025 Brute Force 450 PARTS DIAGRAM

Front Fender(s)



2025 Brute Force 450 PARTS LIST

Front Fender(s)

| ITEM NAME | PART NUMBER | QUANTITY |
|---|----------------|----------|
| CAP,TANK COVER,B.WHITE (Ref # 11065) | 11065-Y055-932 | 1 |
| CAP,TANK COVER,G.BLUE (Ref # 11065A) | 11065-Y055-984 | 1 |
| COVER,FUEL TANK,B.WHITE (Ref # 14094) | 14094-Y006-932 | 1 |
| COVER,FUEL TANK,G.BLUE (Ref # 14094A) | 14094-Y006-984 | 1 |
| COVER,WATERPROOF,S.BLACK (Ref # 14094B) | 14094-Y014-933 | 1 |
| COVER,FR GRILL,B.WHITE (Ref # 14094C) | 14094-Y016-932 | 1 |
| COVER,FR GRILL,G.BLUE (Ref # 14094D) | 14094-Y016-984 | 1 |
| COVER,TOP,S.BLACK (Ref # 14094E) | 14094-Y017-933 | 1 |
| FENDER-FRONT,B.WHITE (Ref # 35004) | 35004-Y015-932 | 1 |
| FENDER-FRONT,G.BLUE (Ref # 35004A) | 35004-Y015-984 | 1 |
| FLAP,RH,S.BLACK (Ref # 35019) | 35019-Y008-933 | 1 |
| FLAP,LH,S.BLACK (Ref # 35019A) | 35019-Y009-933 | 1 |
| STAY,ECU (Ref # 35063) | 35063-Y054 | 1 |
| STAY,CANISTER (Ref # 35063A) | 35063-Y057 | 1 |
| CASE-STORAGE,ELECTRICAL,S.BLK (Ref # 39012) | 39012-Y003-933 | 1 |
| PAD,TANK COVER,RR (Ref # 39156) | 39156-Y010 | 1 |
| PAD,TANK COVER,FR (Ref # 39156A) | 39156-Y011 | 1 |
| GUARD,SKID,S.BLACK (Ref # 55020) | 55020-Y022-933 | 1 |
| COVER-HEAD LAMP,S.BLACK (Ref # 55062) | 55062-Y001-933 | 1 |
| BUMPER,FR,S.BLACK (Ref # 59201) | 59201-Y002-933 | 1 |
| SPACER (Ref # 92026) | 92026-Y015 | 4 |
| RIVET (Ref # 92033) | 92033-Y010 | 8 |
| RIVET (Ref # 92033A) | 92033-Y032 | 2 |
| GROMMET (Ref # 92071) | 92071-Y005 | 6 |
| GROMMET (Ref # 92071A) | 92071-Y009 | 4 |
| BOLT,6X16 (Ref # 92153) | 92153-Y018 | 10 |
| BOLT,6X12 (Ref # 92154) | 92154-Y032 | 2 |
| BOLT,5X16 (Ref # 92154A) | 92154-Y085 | 2 |
| DAMPER,FR FENDER (Ref # 92161) | 92161-Y063 | 3 |

2025 Brute Force 450 PARTS LIST

Front Fender(s)

| ITEM NAME | PART NUMBER | QUANTITY |
|----------------------------------|-------------|----------|
| SCREW,TAPPING,5X12 (Ref # 92172) | 92172-Y038 | 19 |
| SCREW,6X20 (Ref # 92172A) | 92172-Y041 | 8 |
| SCREW (Ref # 92172B) | 92172-Y106 | 10 |
| NUT,6MM (Ref # 92210) | 92210-Y011 | 2 |
| NUT,5MM (Ref # 92210A) | 92210-Y016 | 4 |
| NUT,6MM (Ref # 92210B) | 92210-Y026 | 2 |
| NUT (Ref # 92210C) | 92210-Y031 | 8 |