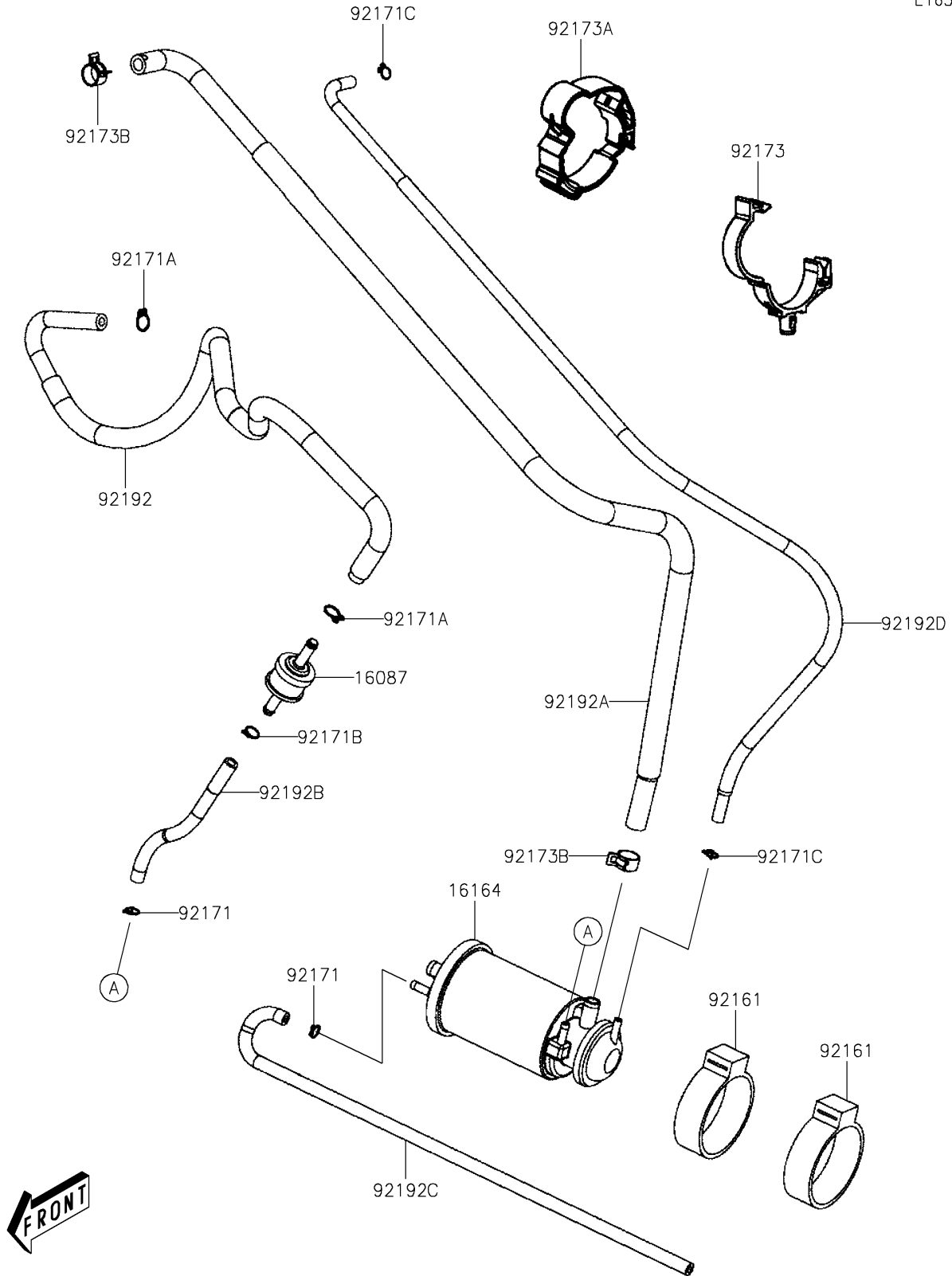


# 2025 Brute Force 450 PARTS DIAGRAM

Fuel Evaporative System(CA)

E1650



## 2025 Brute Force 450 PARTS LIST

### Fuel Evaporative System(CA)

ITEM NAME	PART NUMBER	QUANTITY
VALVE-CHECK (Ref # 16087)	16087-0008	1
CANISTER (Ref # 16164)	16164-Y004	1
DAMPER,CANISTER MOUNT (Ref # 92161)	92161-Y067	2
CLAMP (Ref # 92171)	92171-Y010	2
CLAMP (Ref # 92171A)	92171-Y011	2
CLAMP (Ref # 92171B)	92171-Y014	1
CLAMP (Ref # 92171C)	92171-Y017	2
CLAMP (Ref # 92173)	92173-Y104	1
CLAMP (Ref # 92173A)	92173-Y105	1
CLAMP,D12.5 (Ref # 92173B)	92173-Y106	2
TUBE,BREATHER (Ref # 92192)	92192-Y074	1
TUBE (Ref # 92192A)	92192-Y076	1
TUBE (Ref # 92192B)	92192-Y077	1
TUBE,DRAIN,CANISTER (Ref # 92192C)	92192-Y087	1
TUBE,DRAIN,VACUUM (Ref # 92192D)	92192-Y088	1