

2025 NINJA[®] 650 PARTS DIAGRAM

Accessory(High Seat)

F2910C

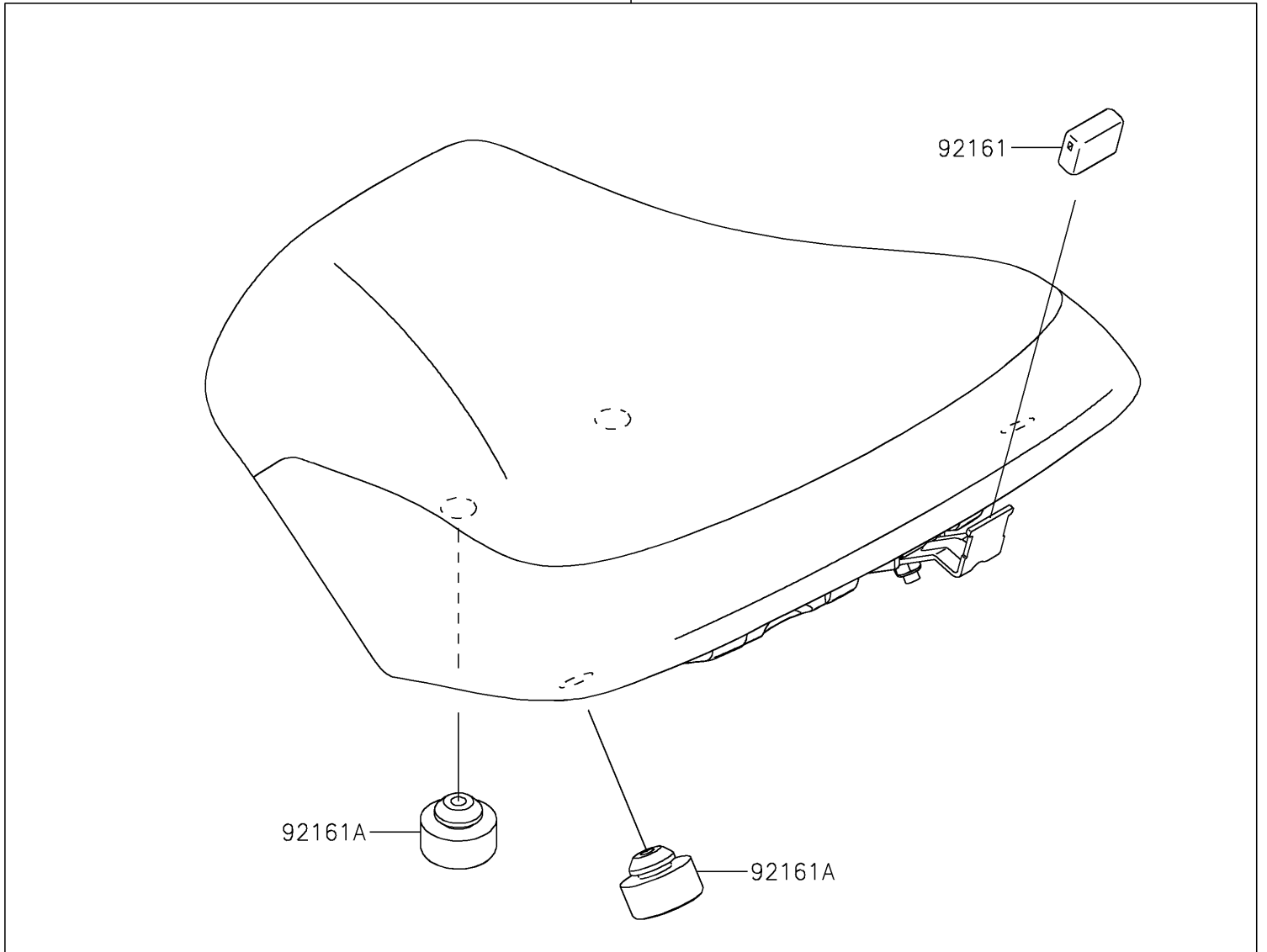


99994

92161

92161A

92161A



2025 NINJA® 650 PARTS LIST

Accessory(High Seat)

ITEM NAME	PART NUMBER	QUANTITY
DAMPER,SEAT BRACKET,FR (Ref # 92161)	92161-1865	1
DAMPER,14X30X14.5 (Ref # 92161A)	92161-1970	4
KIT-ACCESSORY,HIGH-SEAT (Ref # 99994)	99994-1062	1