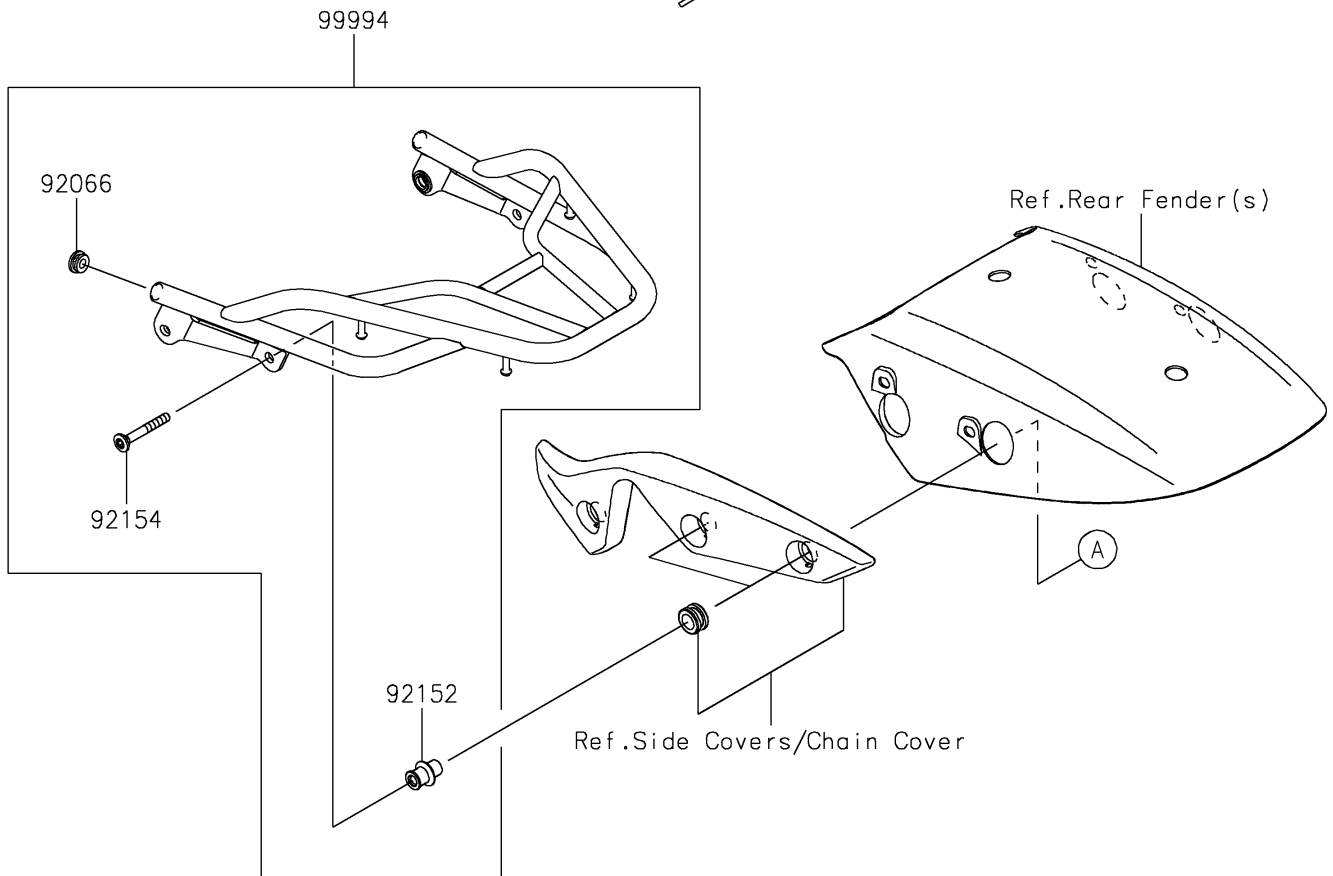
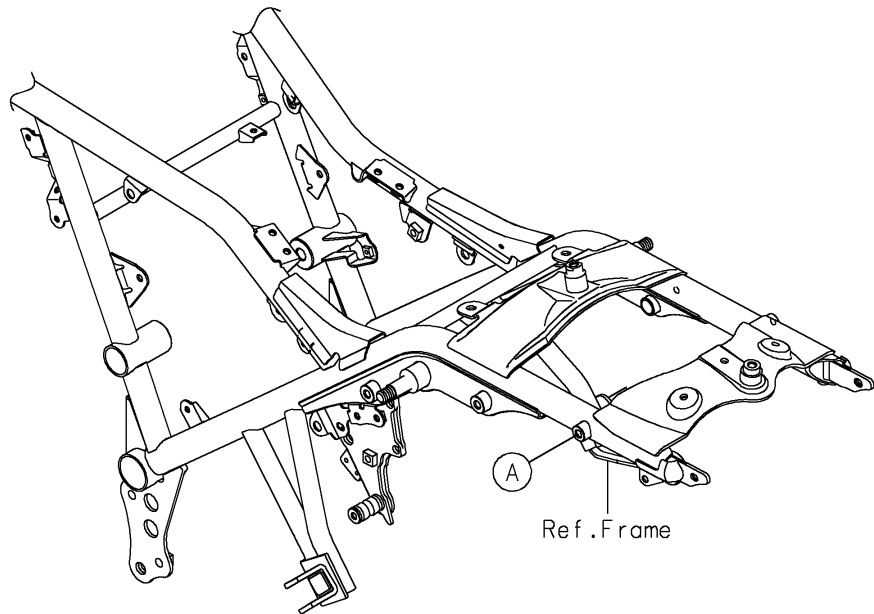


2025 Eliminator SE ABS PARTS DIAGRAM

Accessory(Rear Carrier)

F2910C



2025 Eliminator SE ABS PARTS LIST

Accessory(Rear Carrier)

ITEM NAME	PART NUMBER	QUANTITY
PLUG (Ref # 92066)	92066-1306	2
COLLAR (Ref # 92152)	92152-2947	4
BOLT,SOCKET,8X60 (Ref # 92154)	92154-7060	4
REAR CARRIER (Ref # 99994)	99994-1902	1