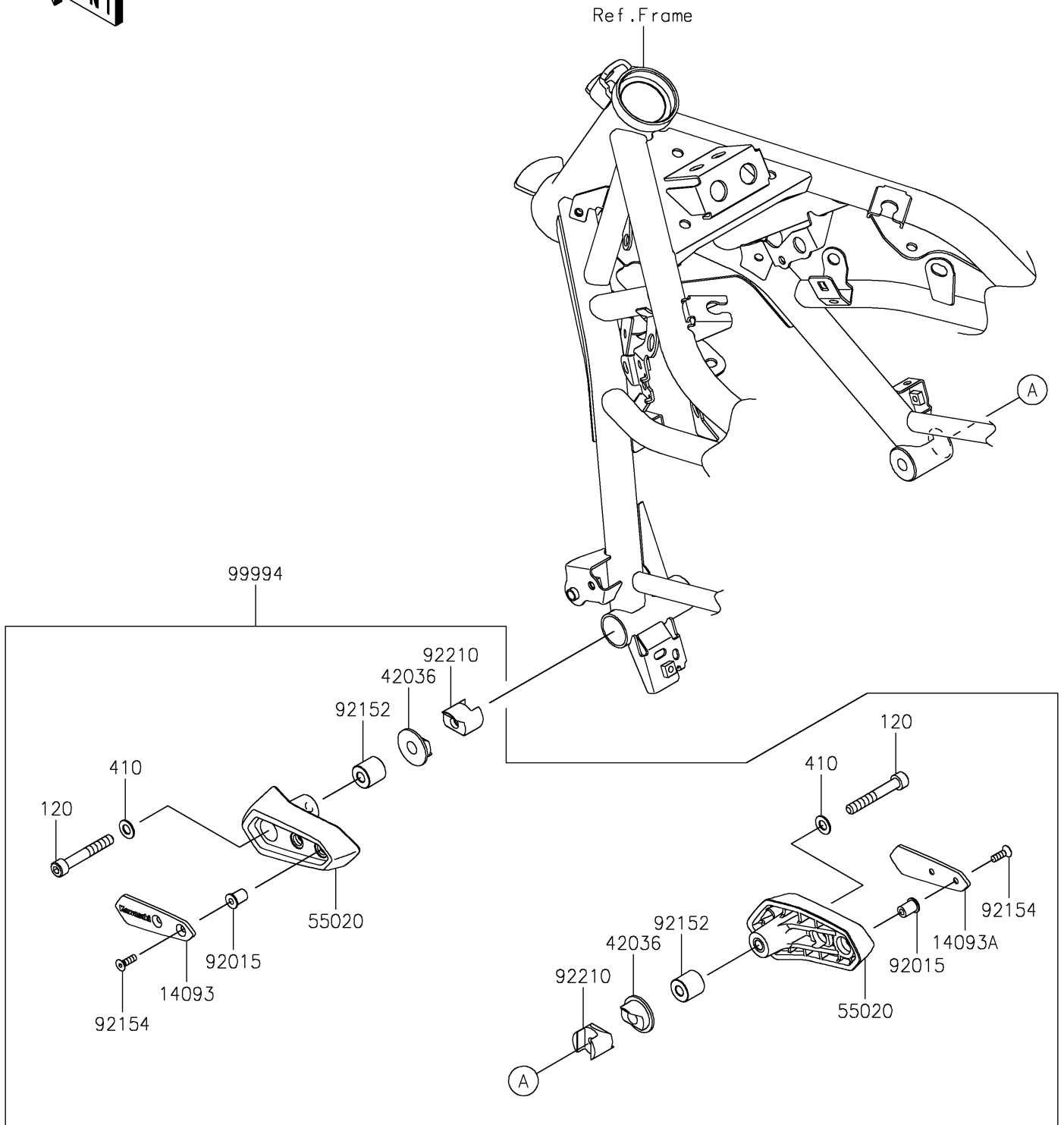


# 2025 Eliminator SE ABS PARTS DIAGRAM

Accessory(Slider)

F2910A



## 2025 Eliminator SE ABS PARTS LIST

Accessory(Slider)

ITEM NAME	PART NUMBER	QUANTITY
COVER,SLIDER,LH (Ref # 14093)	14093-0350	1
COVER,SLIDER,RH (Ref # 14093A)	14093-0351	1
SLEEVE,11X32X17.5 (Ref # 42036)	42036-0765	2
GUARD (Ref # 55020)	55020-1997	2
NUT,WELL,5MM (Ref # 92015)	92015-1757	4
COLLAR (Ref # 92152)	92152-2452	2
BOLT,SOCKET,5X16 (Ref # 92154)	92154-1014	4
NUT,8MM (Ref # 92210)	92210-1421	2
ENGINE SLIDER (Ref # 99994)	99994-1900	1
BOLT-SOCKET (Ref # 120)	120CA0855	2
WASHER-PLAIN-SMALL,8MM (Ref # 410)	410AA0800	2