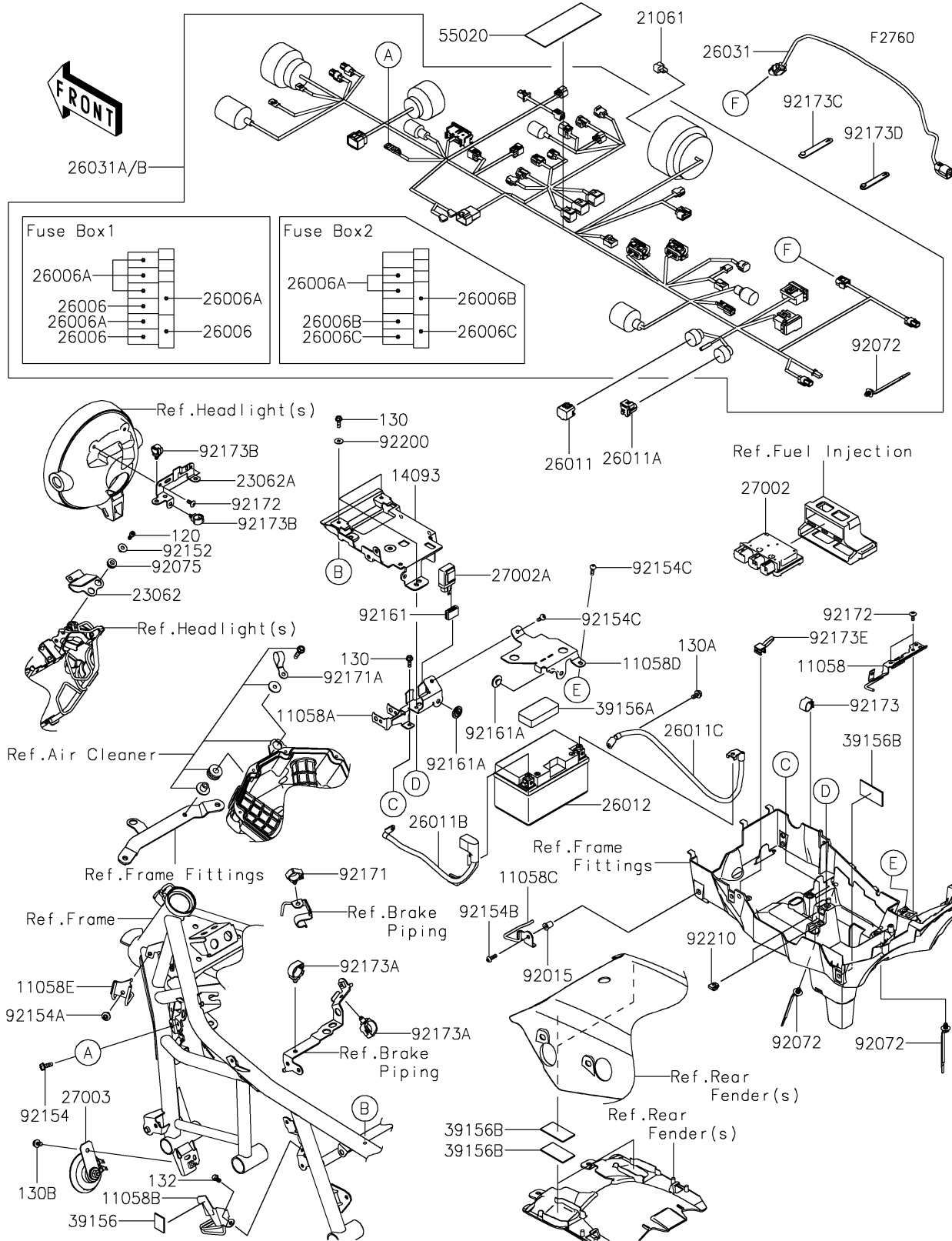


# 2025 Eliminator SE ABS PARTS DIAGRAM

Chassis Electrical Equipment



## 2025 Eliminator SE ABS PARTS LIST

### Chassis Electrical Equipment

| ITEM NAME                                 | PART NUMBER | QUANTITY |
|---|-------------|----------|
| BRACKET,FUSE BOX (Ref # 11058)            | 11058-0361  | 1        |
| BRACKET,RELAY (Ref # 11058A)              | 11058-0364  | 1        |
| BRACKET,ACG CONNECTOR (Ref # 11058B)      | 11058-0381  | 1        |
| BRACKET (Ref # 11058C)                    | 11058-0494  | 1        |
| BRACKET,BATTERY (Ref # 11058D)            | 11058-1026  | 1        |
| BRACKET (Ref # 11058E)                    | 11058-1356  | 1        |
| COVER (Ref # 14093)                       | 14093-1558  | 1        |
| RECTIFIER (Ref # 21061)                   | 21061-1003  | 1        |
| BRACKET-COMP (Ref # 23062)                | 23062-1408  | 1        |
| BRACKET-COMP (Ref # 23062A)               | 23062-1409  | 1        |
| FUSE,MINI BLADE,15A,BLUE (Ref # 26006)    | 26006-0001  | 3        |
| FUSE,MINI BLADE,10A,RED (Ref # 26006A)    | 26006-1078  | 7        |
| FUSE,MINI BLADE,20A,YELLOW (Ref # 26006B) | 26006-1079  | 2        |
| FUSE,MINI BLADE,30A,GREEN (Ref # 26006C)  | 26006-1080  | 2        |
| WIRE-LEAD,CONNECTOR COVER (Ref # 26011)   | 26011-0275  | 1        |
| WIRE-LEAD,DIAG CONNECTOR (Ref # 26011A)   | 26011-1901  | 1        |
| WIRE-LEAD,BATTERY(+) (Ref # 26011B)       | 26011-2415  | 1        |
| WIRE-LEAD,BATTERY(-) (Ref # 26011C)       | 26011-2416  | 1        |
| BATTERY,YTZ10,12V 8.6AH (Ref # 26012)     | 26012-0689  | 1        |
| HARNESS,SUB (Ref # 26031)                 | 26031-3971  | 1        |
| HARNESS,MAIN (Ref # 26031B)               | 26031-4206  | 1        |
| RELAY-ASSY (Ref # 27002)                  | 27002-0061  | 1        |
| RELAY-ASSY,SIGNAL LAMP (Ref # 27002A)     | 27002-0062  | 1        |
| HORN (Ref # 27003)                        | 27003-0065  | 1        |
| PAD,31X23X2 (Ref # 39156)                 | 39156-2462  | 1        |
| PAD,70X35X15 (Ref # 39156A)               | 39156-2837  | 1        |
| PAD,55X30X2 (Ref # 39156B)                | 39156-2840  | 5        |
| GUARD,MAIN HARNESS (Ref # 55020)          | 55020-2478  | 1        |
| NUT,WELL,5MM (Ref # 92015)                | 92015-1757  | 1        |

## 2025 Eliminator SE ABS PARTS LIST

### Chassis Electrical Equipment

| ITEM NAME                           | PART NUMBER | QUANTITY |
|-------------------------------------|-------------|----------|
| BAND,OS170-FT7(BLACK) (Ref # 92072) | 92072-1414  | AR       |
| DAMPER (Ref # 92075)                | 92075-161   | 2        |
| COLLAR,5.2X7.5X8.2 (Ref # 92152)    | 92152-1880  | 2        |
| BOLT,FLANGED,6X16 (Ref # 92154)     | 92154-0551  | 1        |
| BOLT,SOCKET,6X10 (Ref # 92154A)     | 92154-1693  | 1        |
| BOLT,SOCKET,5X16 (Ref # 92154B)     | 92154-1701  | 1        |
| BOLT,SOCKET,5X16 (Ref # 92154C)     | 92154-4294  | 2        |
| DAMPER,15X25X8.5 (Ref # 92161)      | 92161-1443  | 1        |
| DAMPER,8X22X10 (Ref # 92161A)       | 92161-1685  | 2        |
| CLAMP,BRAKE HOSE (Ref # 92171)      | 92171-0316  | 1        |
| CLAMP (Ref # 92171A)                | 92171-1279  | 1        |
| SCREW,5X12 (Ref # 92172)            | 92172-0821  | 4        |
| CLAMP,CLIP (Ref # 92173)            | 92173-0127  | 1        |
| CLAMP (Ref # 92173A)                | 92173-0861  | 2        |
| CLAMP (Ref # 92173B)                | 92173-1951  | 2        |
| CLAMP (Ref # 92173C)                | 92173-2194  | 1        |
| CLAMP (Ref # 92173D)                | 92173-2199  | 1        |
| CLAMP (Ref # 92173E)                | 92173-2719  | 1        |
| WASHER,5.2X15X1.0 (Ref # 92200)     | 92200-0456  | 3        |
| NUT,PLATE,5MM (Ref # 92210)         | 92210-0935  | 2        |
| BOLT-SOCKET,5X14 (Ref # 120)        | 120CA0514   | 2        |
| BOLT-FLANGED,5X16 (Ref # 130)       | 130BA0516   | 4        |
| BOLT-FLANGED,6X12 (Ref # 130A)      | 130BA0612   | 1        |
| BOLT-FLANGED,6X10 (Ref # 130B)      | 130BB0610   | 1        |
| BOLT-FLANGED-SMALL,6X10 (Ref # 132) | 132BB0610   | 1        |