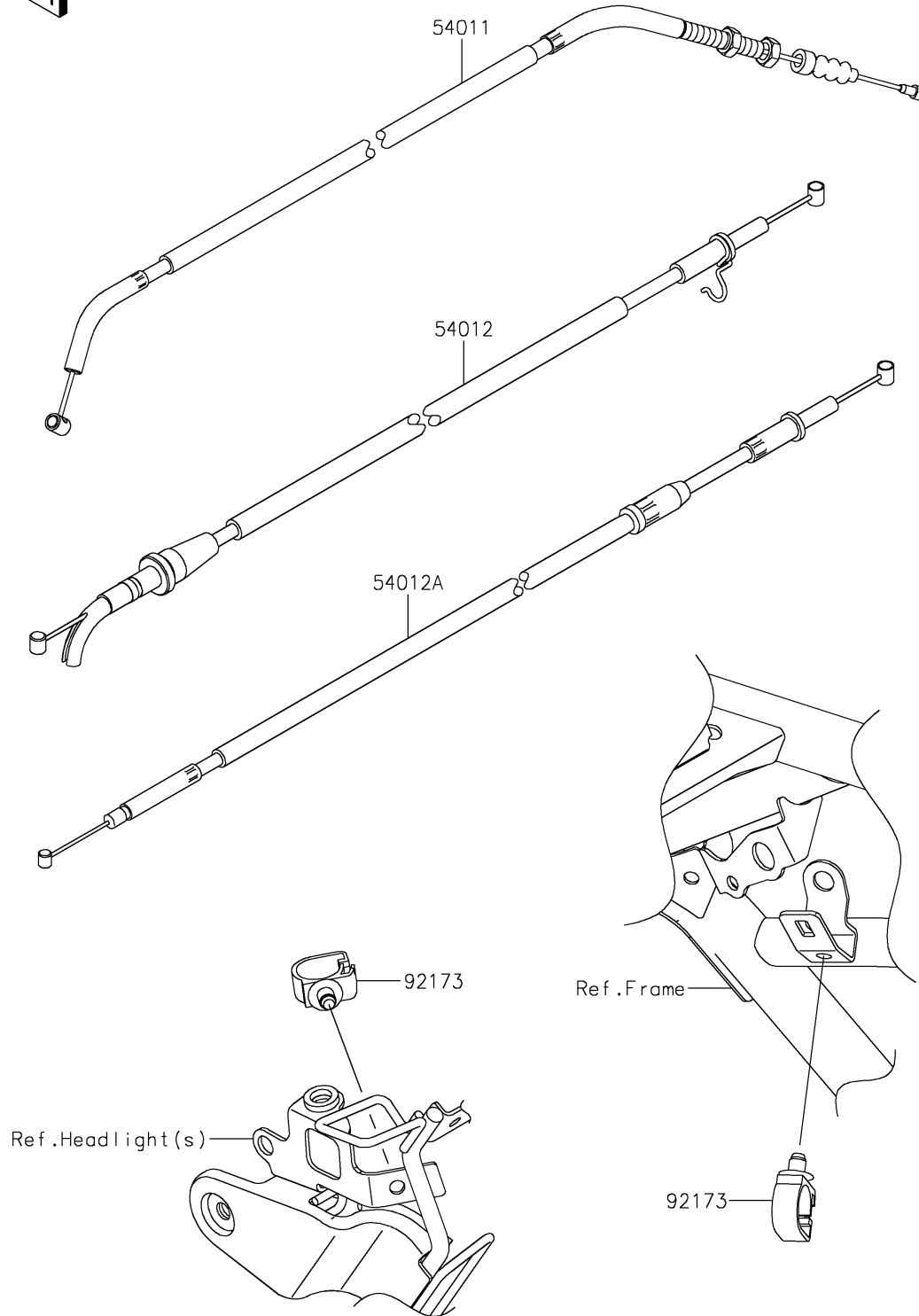


2025 Eliminator SE ABS PARTS DIAGRAM

Cables

F2540



2025 Eliminator SE ABS PARTS LIST

Cables

ITEM NAME	PART NUMBER	QUANTITY
CABLE-CLUTCH (Ref # 54011)	54011-0664	1
CABLE-THROTTLE,OPENING (Ref # 54012)	54012-0730	1
CABLE-THROTTLE,CLOSING (Ref # 54012A)	54012-0731	1
CLAMP (Ref # 92173)	92173-0861	2