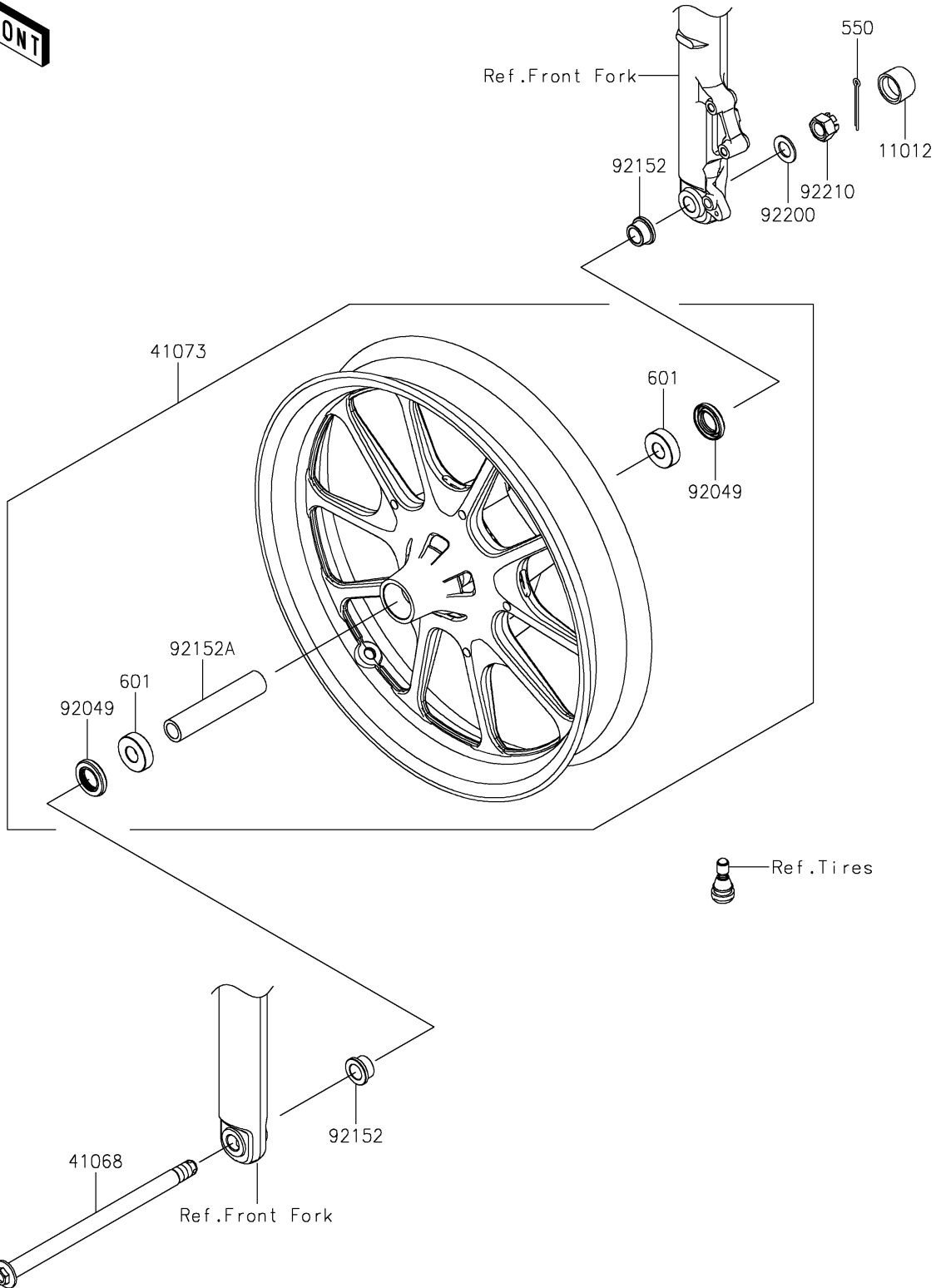


# 2025 Eliminator SE ABS PARTS DIAGRAM

Front Wheel

F2230



## 2025 Eliminator SE ABS PARTS LIST

### Front Wheel

ITEM NAME	PART NUMBER	QUANTITY
CAP,AXLE NUT (Ref # 11012)	11012-1592	1
AXLE,FR (Ref # 41068)	41068-0662	1
WHEEL-ASSY,FR,G.BLACK (Ref # 41073)	41073-0839-QT	1
SEAL-OIL,23X40X7 (Ref # 92049)	92049-0801	2
COLLAR,17X30X15.5 (Ref # 92152)	92152-2386	2
COLLAR,17.2X25X125 (Ref # 92152A)	92152-2935	1
WASHER,17.3X30X2 (Ref # 92200)	92200-1916	1
NUT,CASTLE,16X19 (Ref # 92210)	92210-1585	1
PIN-COTTER,4.0X35 (Ref # 550)	550AA4035	1
BEARING-BALL,#6203UUC3 (Ref # 601)	601B6203UU	2