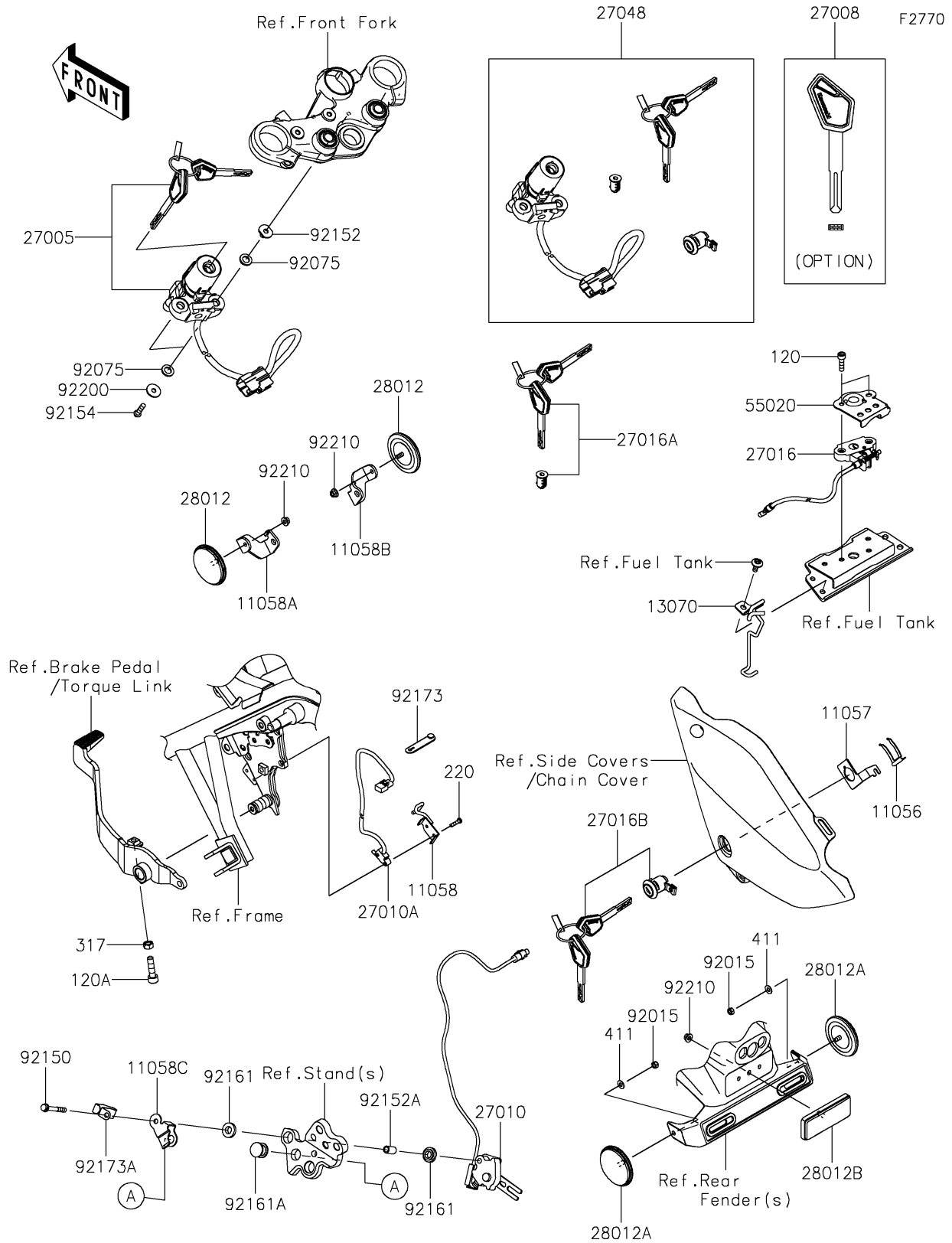


# 2024 ELIMINATOR® PARTS DIAGRAM

## Ignition Switch/Locks/Reflectors



## 2024 ELIMINATOR® PARTS LIST

### Ignition Switch/Locks/Reflectors

ITEM NAME	PART NUMBER	QUANTITY
BRACKET,CLASP (Ref # 11056)	11056-0238	1
BRACKET,SEAT LOCK (Ref # 11057)	11057-7033	1
BRACKET,RR BRAKE (Ref # 11058)	11058-0383	1
BRACKET,REFLECTOR,FR,LH (Ref # 11058A)	11058-0574	1
BRACKET,REFLECTOR,FR,RH (Ref # 11058B)	11058-0575	1
BRACKET (Ref # 11058C)	11058-1673	1
GUIDE,SEAT LOCK (Ref # 13070)	13070-1476	1
SWITCH-ASSY-IGNITION (Ref # 27005)	27005-0724	1
KEY-LOCK,BLANK (Ref # 27008)	27008-0688	1
SWITCH,SIDE STAND (Ref # 27010)	27010-0845	1
SWITCH,BRAKE (Ref # 27010A)	27010-0983	1
LOCK-ASSY,SEAT STRIKER (Ref # 27016)	27016-0107	1
LOCK-ASSY,TANK CAP (Ref # 27016A)	27016-5421	1
LOCK-ASSY,SEAT (Ref # 27016B)	27016-5429	1
SWITCH-ASSY (Ref # 27048)	27048-5292	1
REFLECTOR-REFLEX,FR,SIDE (Ref # 28012)	28012-0061	2
REFLECTOR-REFLEX,RR,SIDE (Ref # 28012A)	28012-0063	2
REFLECTOR-REFLEX,RR,FLAP (Ref # 28012B)	28012-0064	1
GUARD,SEAT STRIKER (Ref # 55020)	55020-2468	1
NUT,LOCK,5MM (Ref # 92015)	92015-1221	2
DAMPER (Ref # 92075)	92075-1564	4
BOLT,6X45 (Ref # 92150)	92150-1884	1
COLLAR,6X9X10.6 (Ref # 92152)	92152-1971	2
COLLAR,6.5X9.5X17 (Ref # 92152A)	92152-2274	1
BOLT,TORX,6X22 (Ref # 92154)	92154-1858	2
DAMPER (Ref # 92161)	92161-0117	2
DAMPER (Ref # 92161A)	92161-0118	1
CLAMP (Ref # 92173)	92173-2198	1
CLAMP (Ref # 92173A)	92173-2721	1

## 2024 ELIMINATOR® PARTS LIST

### Ignition Switch/Locks/Reflectors

ITEM NAME	PART NUMBER	QUANTITY
WASHER,6X20X1.6 (Ref # 92200)	92200-0780	2
NUT,FLANGED,5MM (Ref # 92210)	92210-0007	3
BOLT-SOCKET,6X22 (Ref # 120)	120CA0622	2
BOLT-SOCKET,8X30 (Ref # 120A)	120CB0830	1
SCREW-PAN-CROS,4X16 (Ref # 220)	220AB0416	1
NUT-HEX-SMALL,8MM (Ref # 317)	317AB0800	1
WASHER-PLAIN,5MM (Ref # 411)	411AB0500	2