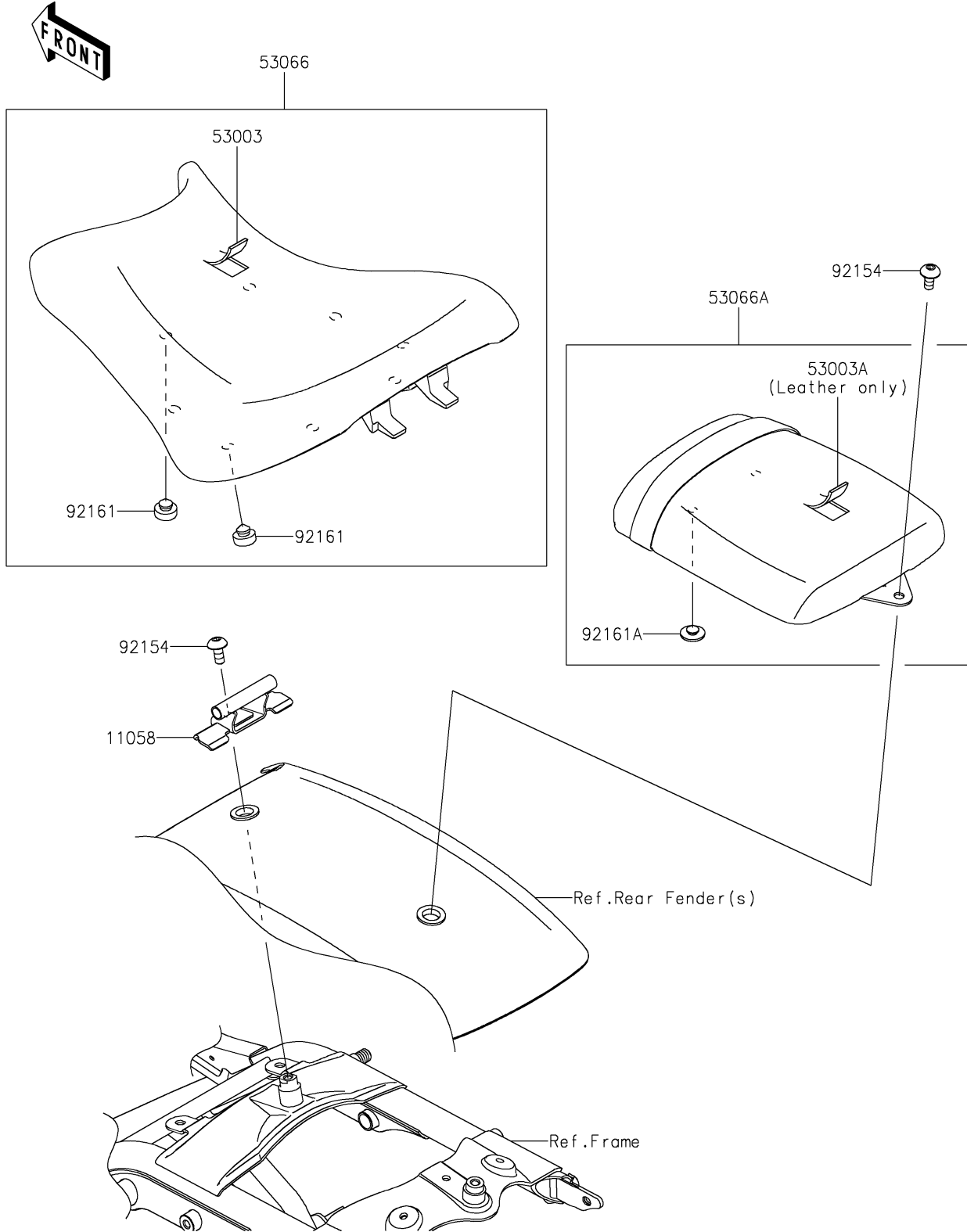


# 2025 Eliminator PARTS DIAGRAM

Seat

F2510



## 2025 Eliminator PARTS LIST

### Seat

| ITEM NAME                             | PART NUMBER    | QUANTITY |
|---------------------------------------|----------------|----------|
| BRACKET,SEAT (Ref # 11058)            | 11058-0342     | 1        |
| LEATHER,BLACK (Ref # 53003)           | 53003-0663-MA  | 1        |
| LEATHER,BLACK (Ref # 53003A)          | 53003-0664-MA  | 1        |
| SEAT-ASSY,FR,BLACK (Ref # 53066)      | 53066-0853-MA  | 1        |
| SEAT-ASSY,RR,BLACK+BLK (Ref # 53066A) | 53066-0854-12Y | 1        |
| BOLT,SOCKET,8X18 (Ref # 92154)        | 92154-7058     | 2        |
| DAMPER,10X20X8 (Ref # 92161)          | 92161-0855     | 8        |
| DAMPER,8X22X10 (Ref # 92161A)         | 92161-1685     | 2        |