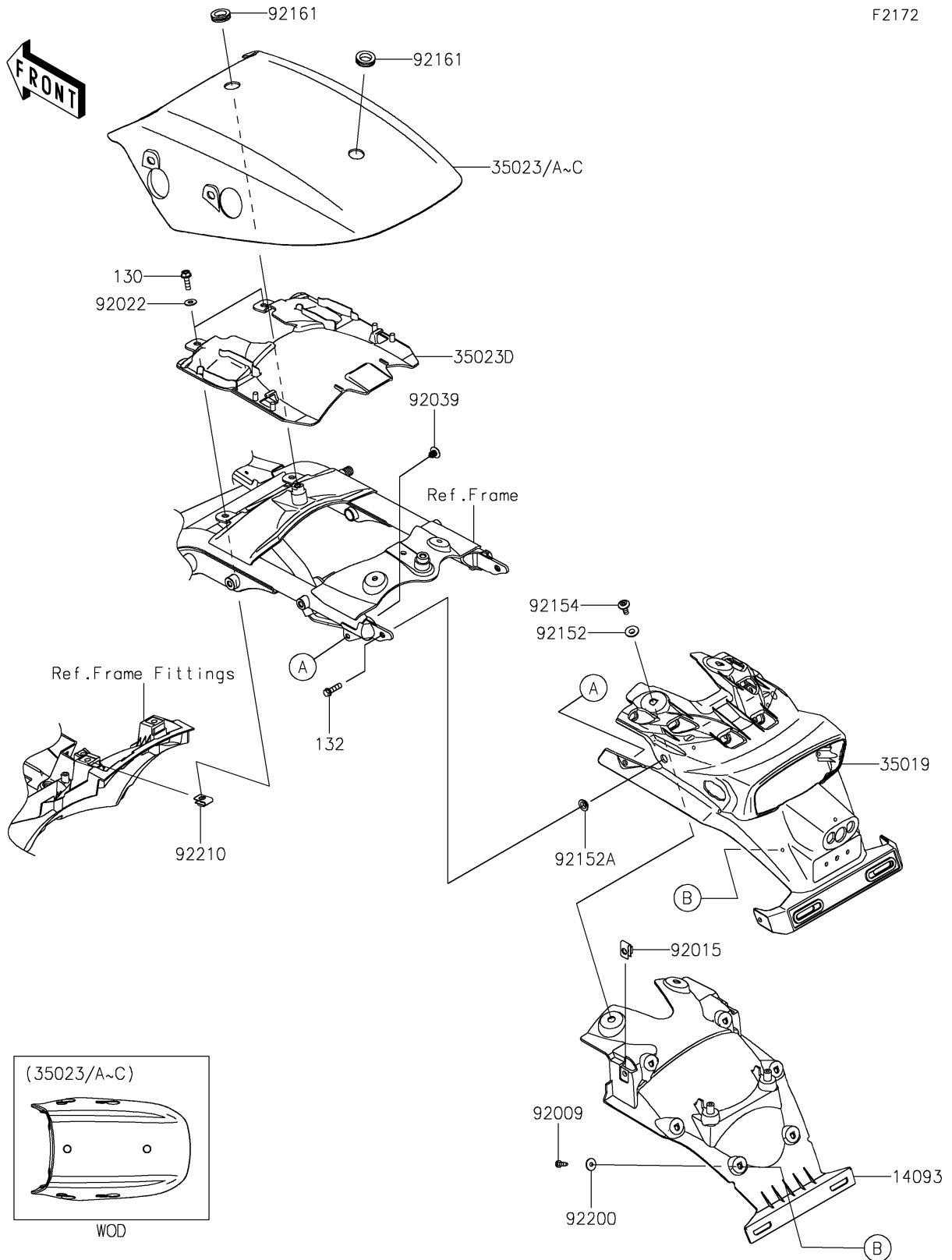


# 2025 Eliminator PARTS DIAGRAM

Rear Fender(s)

F2172



## 2025 Eliminator PARTS LIST

### Rear Fender(s)

| ITEM NAME                                    | PART NUMBER    | QUANTITY |
|--|----------------|----------|
| COVER,INNER (Ref # 14093)                    | 14093-1436     | 1        |
| FLAP,RR FENDER (Ref # 35019)                 | 35019-0694     | 1        |
| FENDER-REAR,OUTER,P.S.KHAKI (Ref # 35023A)   | 35023-0490-63F | 1        |
| FENDER-REAR,OUTER,M.F.S.BLACK (Ref # 35023C) | 35023-0490-739 | 1        |
| FENDER-REAR,INNER (Ref # 35023D)             | 35023-0491     | 1        |
| SCREW,TAPPING,5X16 (Ref # 92009)             | 92009-1984     | 6        |
| NUT,6MM (Ref # 92015)                        | 92015-1602     | 2        |
| WASHER,6.5X16X1.0 (Ref # 92022)              | 92022-1093     | 2        |
| RIVET (Ref # 92039)                          | 92039-0722     | 2        |
| COLLAR (Ref # 92152)                         | 92152-0427     | 2        |
| COLLAR,8.8X11.2X4 (Ref # 92152A)             | 92152-0909     | 2        |
| BOLT,SOCKET,6X16 (Ref # 92154)               | 92154-3838     | 2        |
| DAMPER (Ref # 92161)                         | 92161-0765     | 2        |
| WASHER,5.2X16X1.2 (Ref # 92200)              | 92200-0583     | 6        |
| NUT,6MM (Ref # 92210)                        | 92210-0891     | 2        |
| BOLT-FLANGED,6X20 (Ref # 130)                | 130BB0620      | 2        |
| BOLT-FLANGED-SMALL,6X22 (Ref # 132)          | 132BB0622      | 2        |