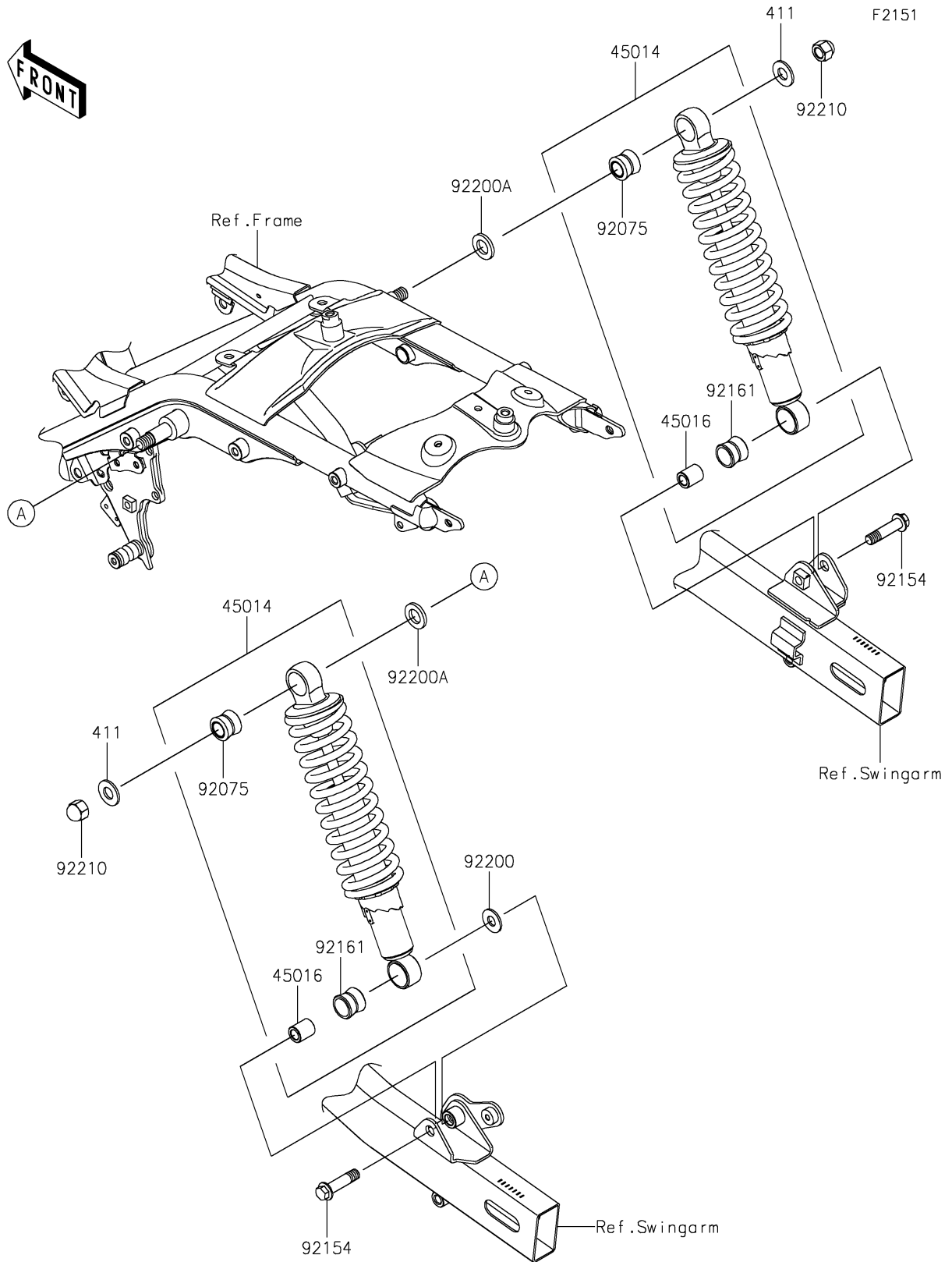


2024 Eliminator® PARTS DIAGRAM

Suspension/Shock Absorber



2024 Eliminator® PARTS LIST

Suspension/Shock Absorber

ITEM NAME	PART NUMBER	QUANTITY
SHOCKABSORBER,BLACK (Ref # 45014)	45014-0765-10	2
COLLAR,SHOCKABSORBER (Ref # 45016)	45016-008	2
DAMPER,SHOCKABSORBER (Ref # 92075)	92075-1387	2
BOLT,FLANGED,10X41 (Ref # 92154)	92154-7037	2
DAMPER,SHOCKABSORBER (Ref # 92161)	92161-2512	2
WASHER,10.5X24X2 (Ref # 92200)	92200-0987	1
WASHER,15X26X3.2 (Ref # 92200A)	92200-2557	2
NUT,CAP,12MM (Ref # 92210)	92210-1925	2
WASHER-PLAIN (Ref # 411)	411AB1200	2