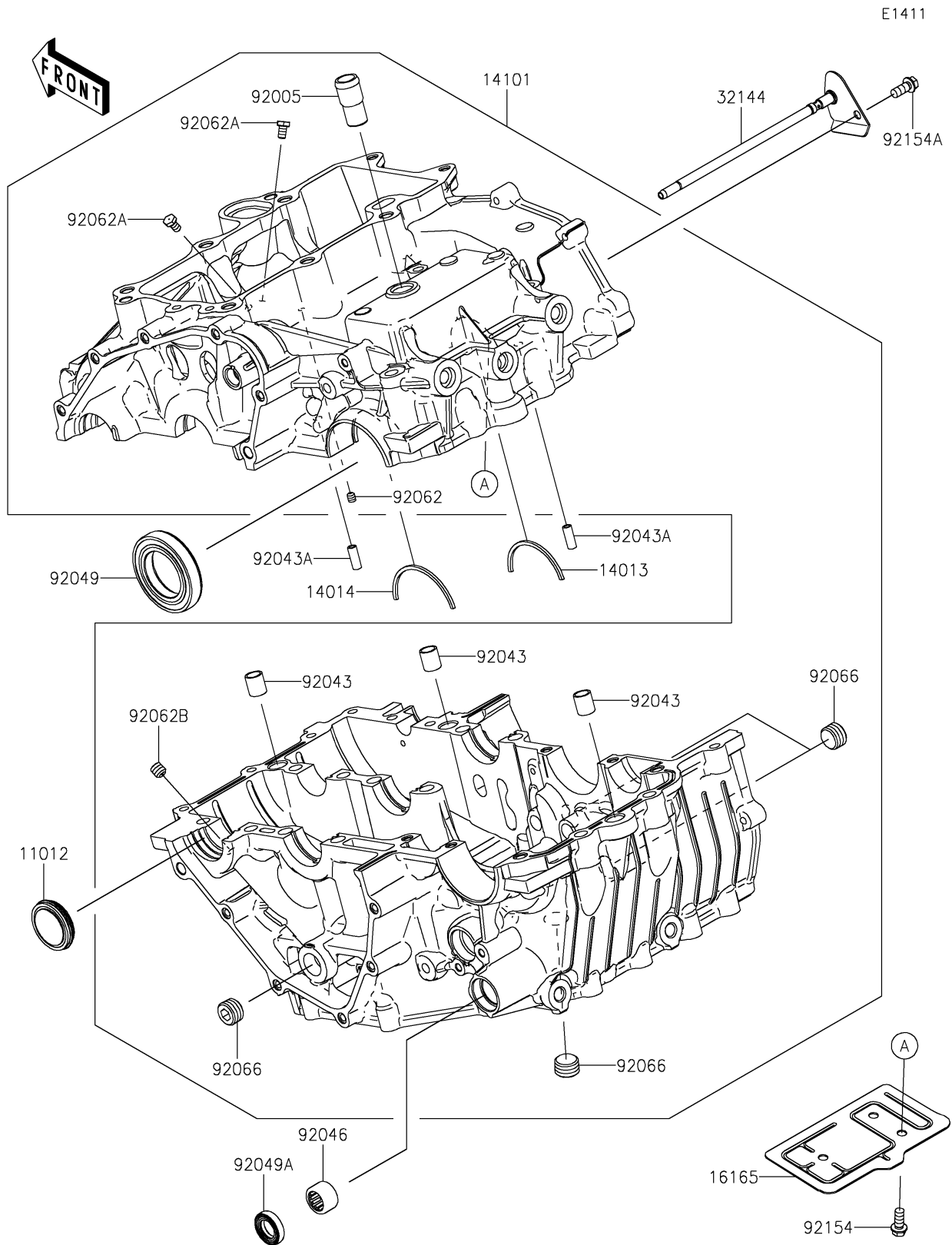


2024 Eliminator[®] PARTS DIAGRAM

Crankcase



2024 Eliminator® PARTS LIST

Crankcase

| ITEM NAME | PART NUMBER | QUANTITY |
|---------------------------------------|-------------|----------|
| CAP,LH (Ref # 11012) | 11012-1770 | 1 |
| RING-POSITION (Ref # 14013) | 14013-004 | 1 |
| PLATE-POSITION (Ref # 14014) | 14014-0576 | 1 |
| SET-CRANKCASE (Ref # 14101) | 14101-0023 | 1 |
| SEPARATOR (Ref # 16165) | 16165-0016 | 1 |
| PIPE-ASSY (Ref # 32144) | 32144-0008 | 1 |
| FITTING,BREATHER (Ref # 92005) | 92005-0713 | 1 |
| PIN,12X14 (Ref # 92043) | 92043-0963 | 3 |
| PIN,3.5X6X16 (Ref # 92043A) | 92043-1309 | 2 |
| BEARING-NEEDLE,HK1412FM (Ref # 92046) | 92046-0043 | 1 |
| SEAL-OIL (Ref # 92049) | 92049-0799 | 1 |
| SEAL-OIL,TC14245 (Ref # 92049A) | 92049-1520 | 1 |
| NOZZLE (Ref # 92062) | 92062-0004 | 1 |
| NOZZLE (Ref # 92062A) | 92062-0047 | 2 |
| NOZZLE (Ref # 92062B) | 92062-0048 | 1 |
| PLUG (Ref # 92066) | 92066-0831 | 4 |
| BOLT,FLANGED,6X14 (Ref # 92154) | 92154-1426 | 3 |
| BOLT,FLANGED,6X14 (Ref # 92154A) | 92154-2907 | 1 |