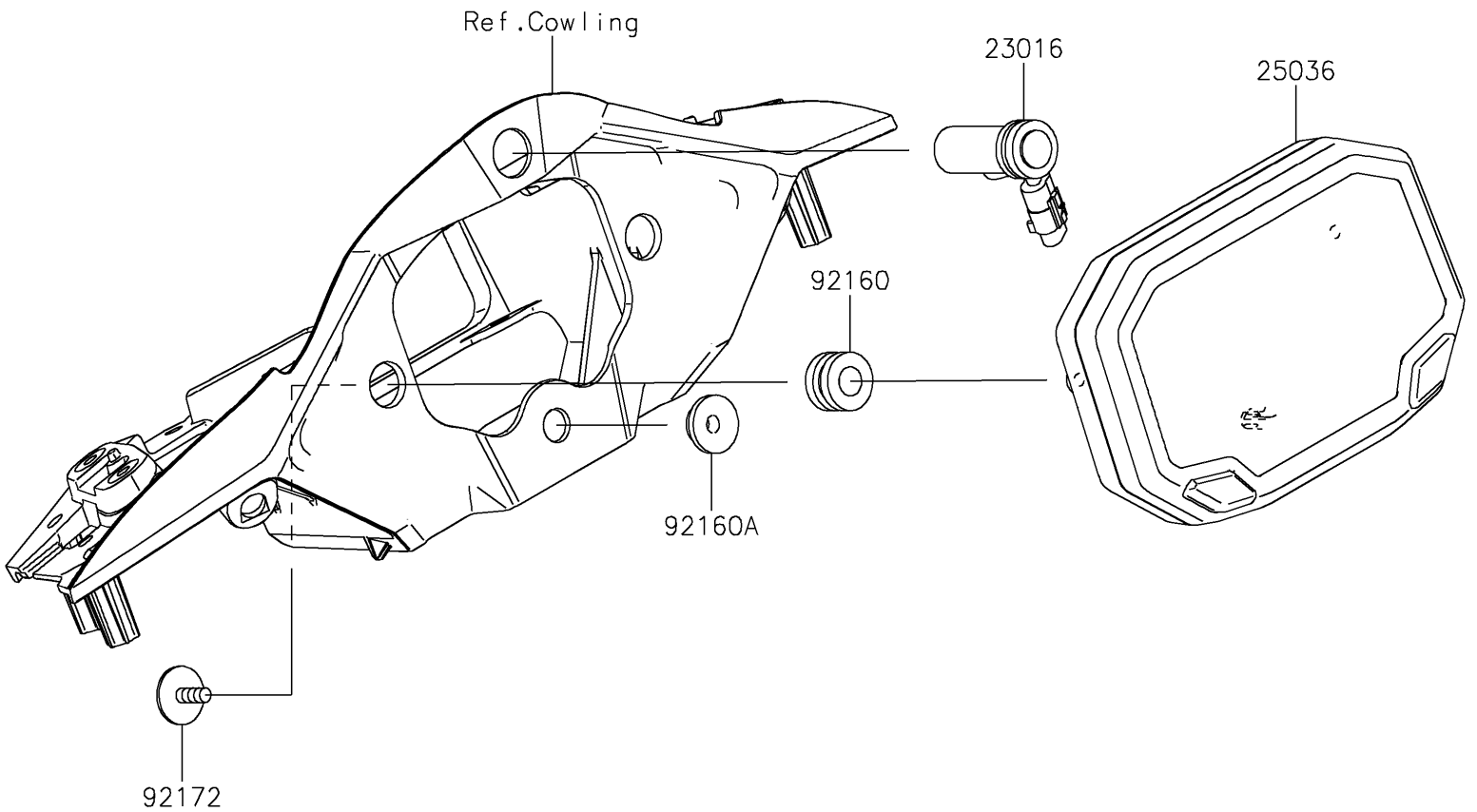


2025 NINJA® ZX™ -10RR ABS PARTS DIAGRAM

Meter(s)

F2530



2025 NINJA® ZX™ -10RR ABS PARTS LIST

Meter(s)

| ITEM NAME | PART NUMBER | QUANTITY |
|--------------------------------------|-------------|----------|
| LAMP-ASSY,INDICATOR (Ref # 23016) | 23016-0653 | 1 |
| METER-ASSY,TFT DISPLAY (Ref # 25036) | 25036-0102 | 1 |
| DAMPER,10X20X12 (Ref # 92160) | 92160-1167 | 2 |
| DAMPER (Ref # 92160A) | 92160-1613 | 1 |
| SCREW,CROSS,5X14 (Ref # 92172) | 92172-1226 | 2 |