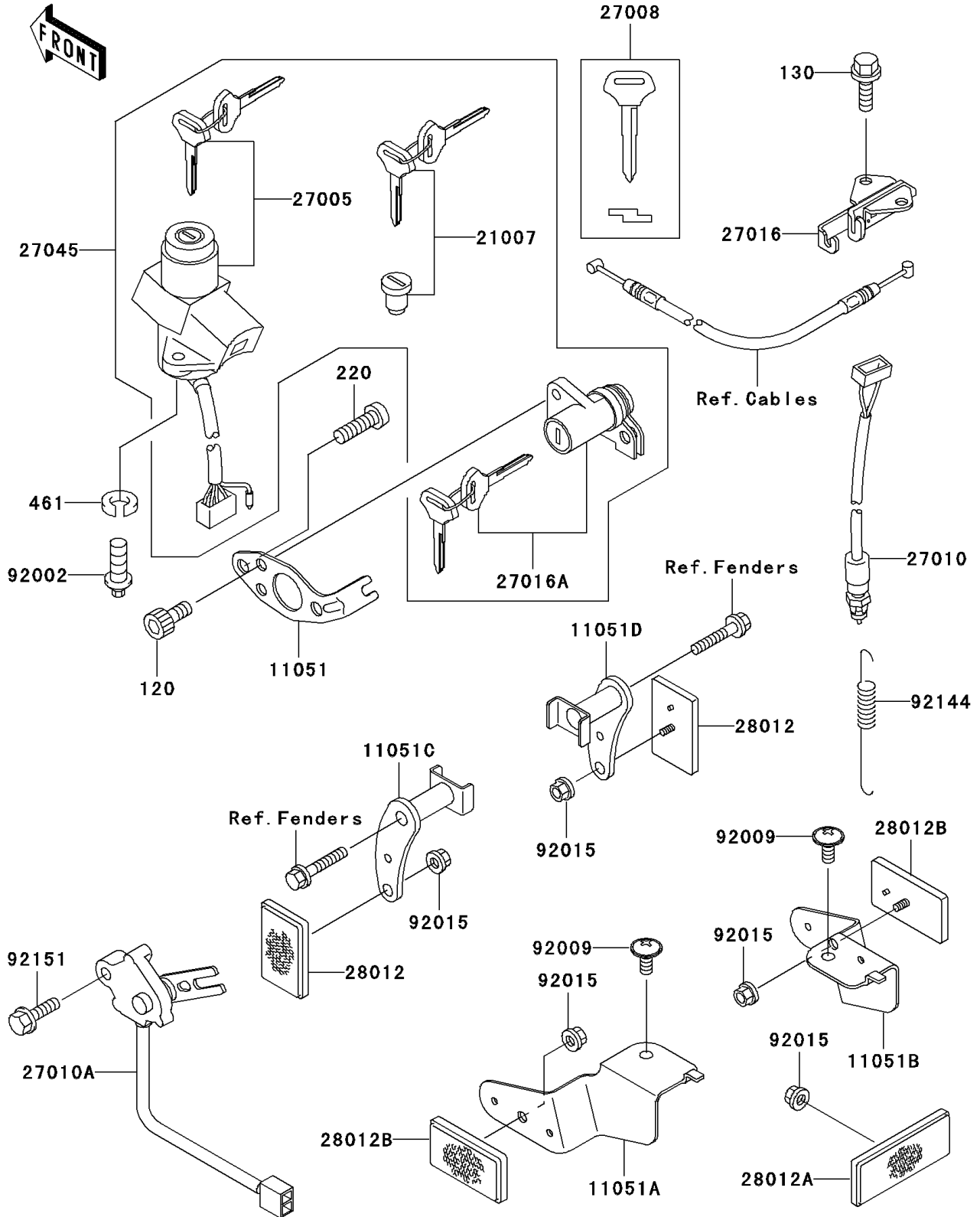


2000 Ninja® ZX™-12R PARTS DIAGRAM

Ignition Switch/Locks/Reflectors

F2770



2000 Ninja® ZX™-12R PARTS LIST

Ignition Switch/Locks/Reflectors

ITEM NAME	PART NUMBER	QUANTITY
BOLT-SOCKET (Ref # 120)	120S0512	2
BOLT-FLANGED (Ref # 130)	130J0612	2
SCREW-PAN-CROS,6X12 (Ref # 220)	220C0612	2
WASHER-SPRING (Ref # 461)	461L0600	2
BRACKET,SEAT LOCK (Ref # 11051)	11051-1370	1
BRACKET,REFLECTOR,RR,LH (Ref # 11051A)	11051-1481	1
BRACKET,REFLECTOR,RR,RH (Ref # 11051B)	11051-1482	1
BRACKET,REFLECTOR,FR,LH (Ref # 11051C)	11051-1662	1
BRACKET,REFLECTOR,FR,RH (Ref # 11051D)	11051-1663	1
ROTOR,LOCK,TANK CAP (Ref # 21007)	21007-5042	1
SWITCH-ASSY-IGNITION (Ref # 27005)	27005-5112	1
KEY-LOCK,BLANK (Ref # 27008)	27008-1189	1
SWITCH,BRAKE LAMP (Ref # 27010)	27010-1152	1
SWITCH,SIDE STAND (Ref # 27010A)	27010-1407	1
LOCK-ASSY,SEAT STRIKER (Ref # 27016)	27016-1115	1
LOCK-ASSY,SEAT (Ref # 27016A)	27016-5261	1
SWITCH-ASSY (Ref # 27045)	27045-5105	1
REFLECTOR-REFLEX (Ref # 28012)	28012-1003	2
REFLECTOR-REFLEX (Ref # 28012A)	28012-1077	1
REFLECTOR-REFLEX (Ref # 28012B)	28012-1088	2
BOLT,TORX,6X16 (Ref # 92002)	92002-1333	2
SCREW,6X14 (Ref # 92009)	92009-1662	2
NUT,FLANGED,5MM (Ref # 92015)	92015-1259	5
SPRING,REAR BRAKE SWITCH (Ref # 92144)	92144-1753	1
BOLT,FLANGED,6X30 (Ref # 92151)	92151-1216	1