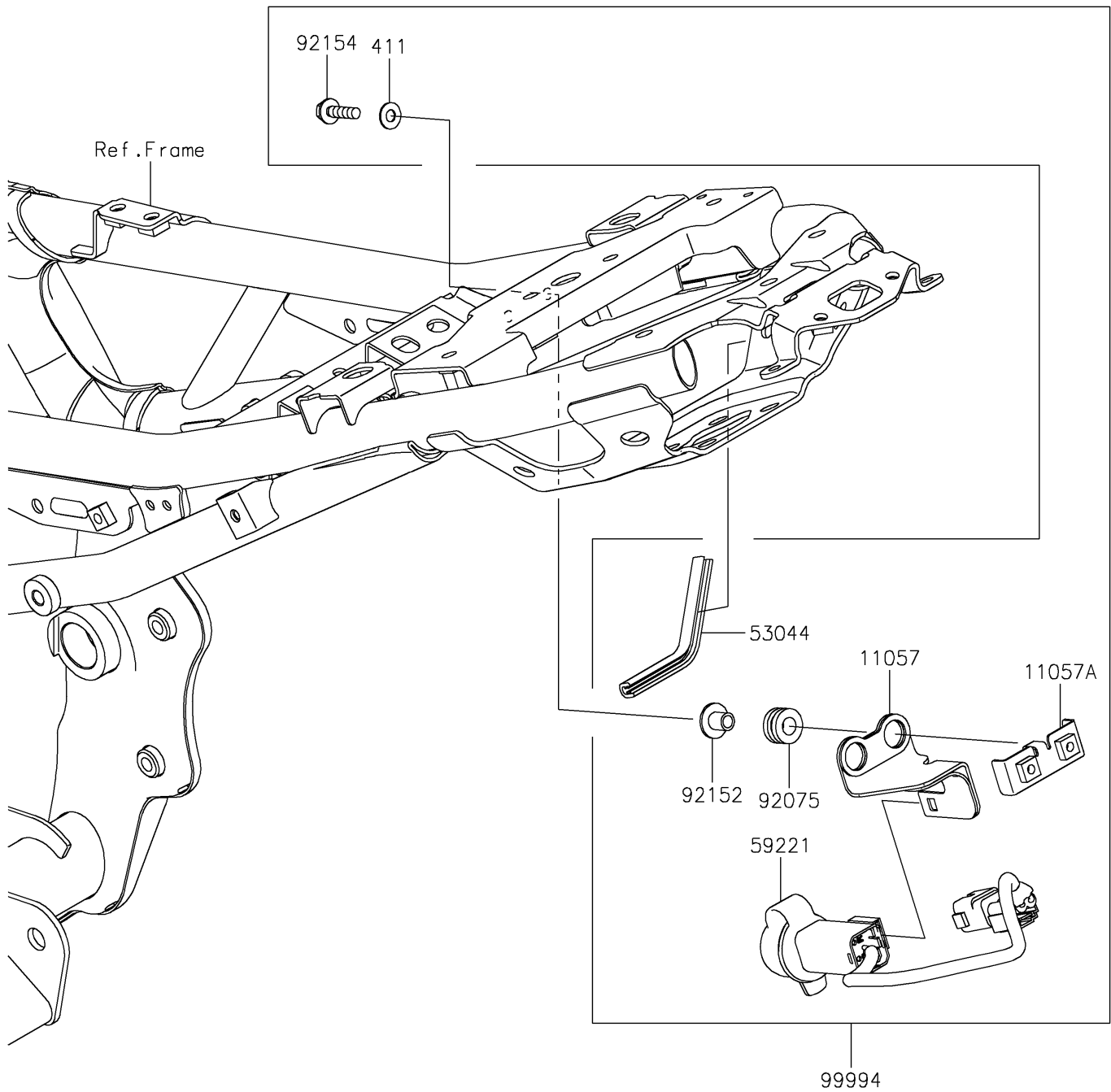


2024 NINJA® ZX™ -4R ABS PARTS DIAGRAM

Accessory(USB Output)

F2910F



2024 NINJA® ZX™-4R ABS PARTS LIST

Accessory(USB Output)

| ITEM NAME | PART NUMBER | QUANTITY |
|----------------------------------|-------------|----------|
| BRACKET (Ref # 11057) | 11057-7798 | 1 |
| BRACKET (Ref # 11057A) | 11057-7800 | 1 |
| TRIM,L=85 (Ref # 53044) | 53044-0556 | 1 |
| CONNECTOR-CORD,USB (Ref # 59221) | 59221-0019 | 1 |
| DAMPER (Ref # 92075) | 92075-1912 | 2 |
| COLLAR (Ref # 92152) | 92152-1592 | 2 |
| BOLT,FLANGED,5X20 (Ref # 92154) | 92154-4433 | 2 |
| USB SOCKET (Ref # 99994) | 99994-1824 | 1 |
| WASHER-PLAIN,5MM (Ref # 411) | 411AA0500 | 2 |