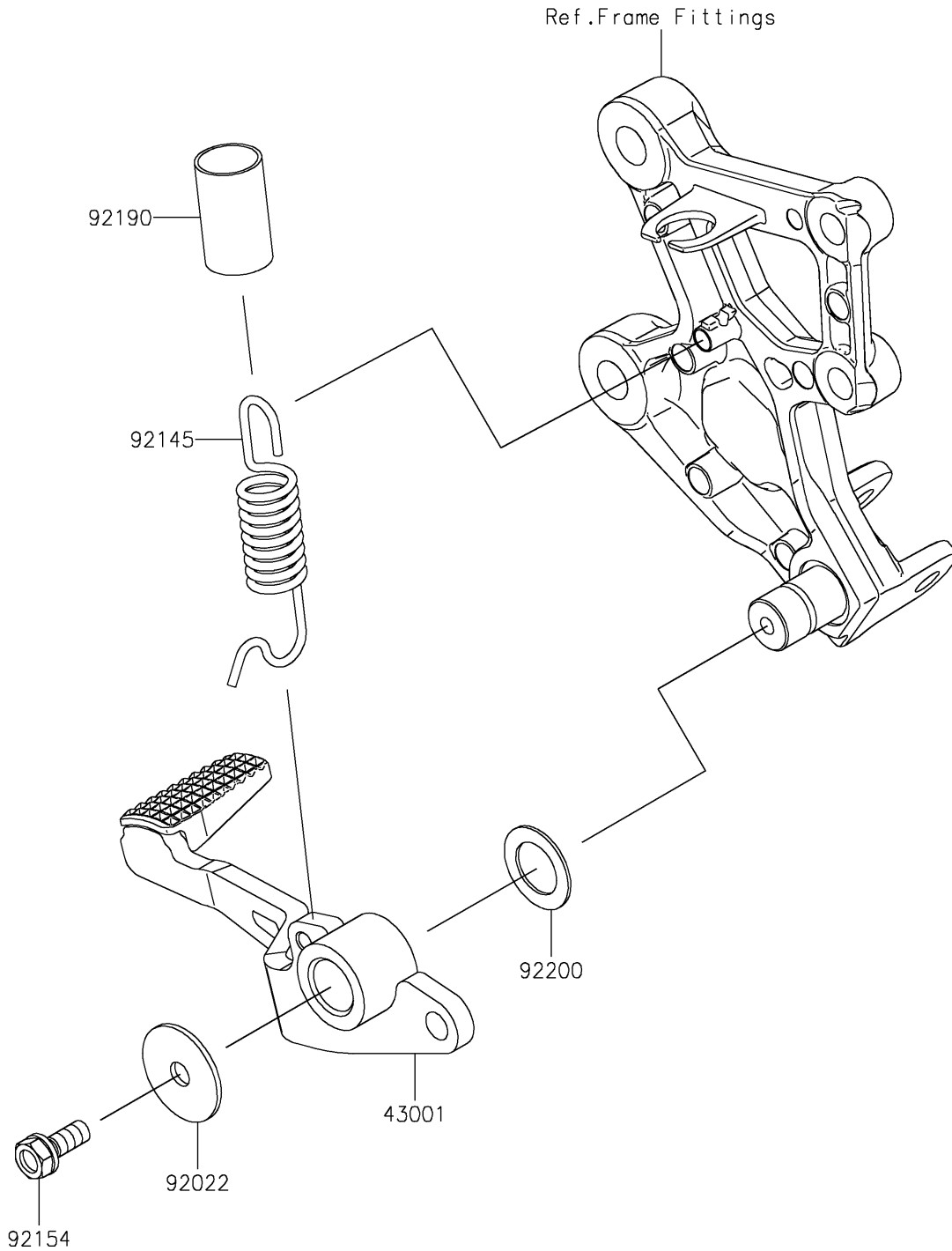


# 2024 NINJA® ZX™ -4R ABS PARTS DIAGRAM

Brake Pedal/Torque Link

F2260



## 2024 NINJA® ZX™ -4R ABS PARTS LIST

### Brake Pedal/Torque Link

ITEM NAME	PART NUMBER	QUANTITY
LEVER-BRAKE,RR (Ref # 43001)	43001-0784	1
WASHER,7X28X1.6 (Ref # 92022)	92022-1282	1
SPRING,BRAKE PEDAL (Ref # 92145)	92145-0988	1
BOLT,UPSET-WS,6X16 (Ref # 92154)	92154-0935	1
TUBE,16X19X30 (Ref # 92190)	92190-1185	1
WASHER,15.3X24X1 (Ref # 92200)	92200-0906	1