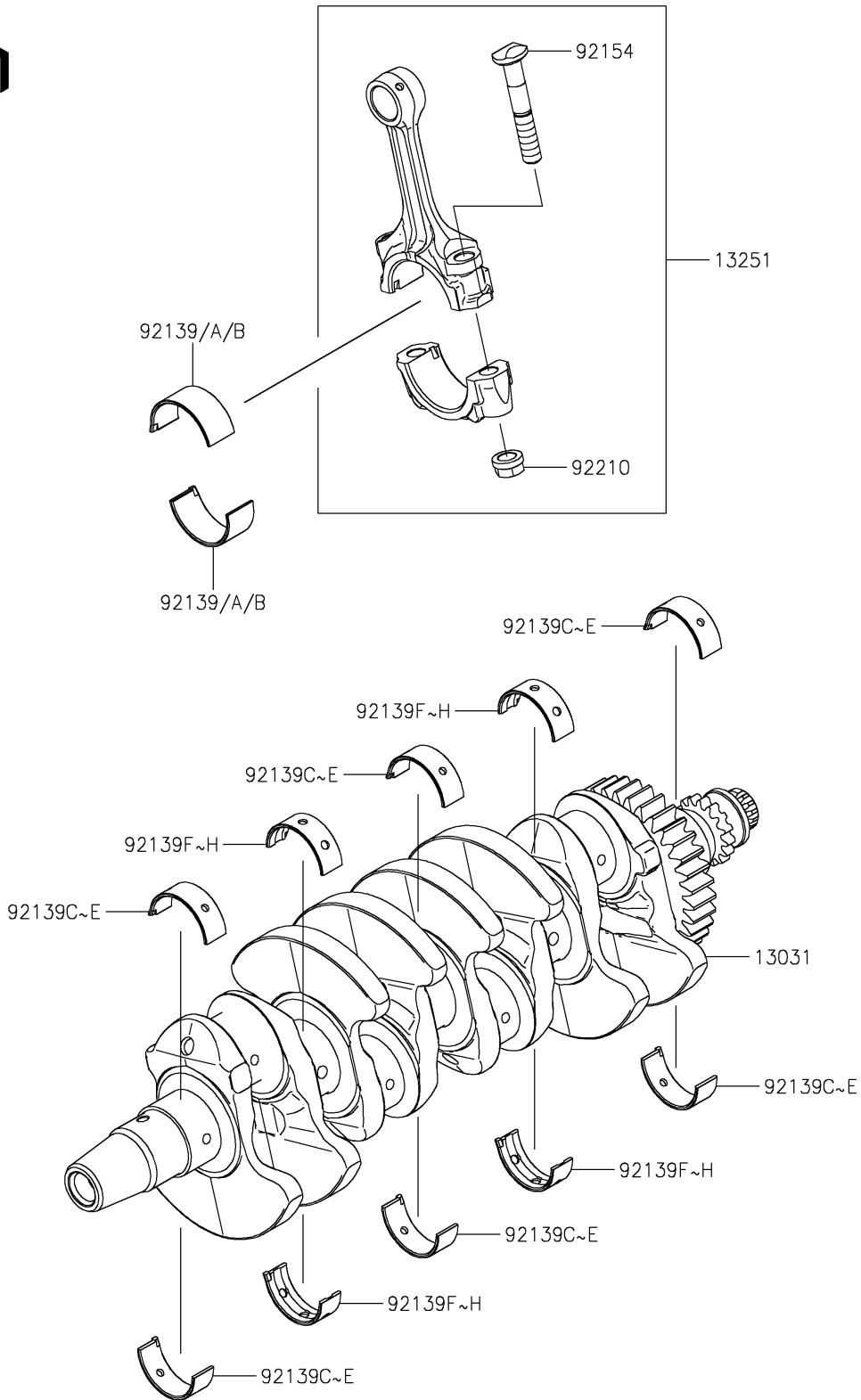


2023 Ninja ZX-4R ABS PARTS DIAGRAM

Crankshaft

E1321



2023 Ninja ZX-4R ABS PARTS LIST

Crankshaft

ITEM NAME	PART NUMBER	QUANTITY
CRANKSHAFT-COMP (Ref # 13031)	13031-1532	1
ROD-ASSY-CONNECTING,H (Ref # 13251)	13251-0748-HH	4
BUSHING,CRANK PIN,BLUE (Ref # 92139)	92139-1179	AR
BUSHING,CRANK PIN,BLACK (Ref # 92139A)	92139-1180	8
BUSHING,CRANK PIN,BROWN (Ref # 92139B)	92139-1181	AR
BUSHING,#1,BLUE (Ref # 92139C)	92139-1182	AR
BUSHING,#1,BLACK (Ref # 92139D)	92139-1183	6
BUSHING,#1,BROWN (Ref # 92139E)	92139-1184	AR
BUSHING,#2,BLUE (Ref # 92139F)	92139-1185	AR
BUSHING,#2,BLACK (Ref # 92139G)	92139-1186	4
BUSHING,#2,BROWN (Ref # 92139H)	92139-1187	AR
BOLT,7MM (Ref # 92154)	92154-7075	8
NUT,CONNECTING ROD,7MM (Ref # 92210)	92210-0384	8