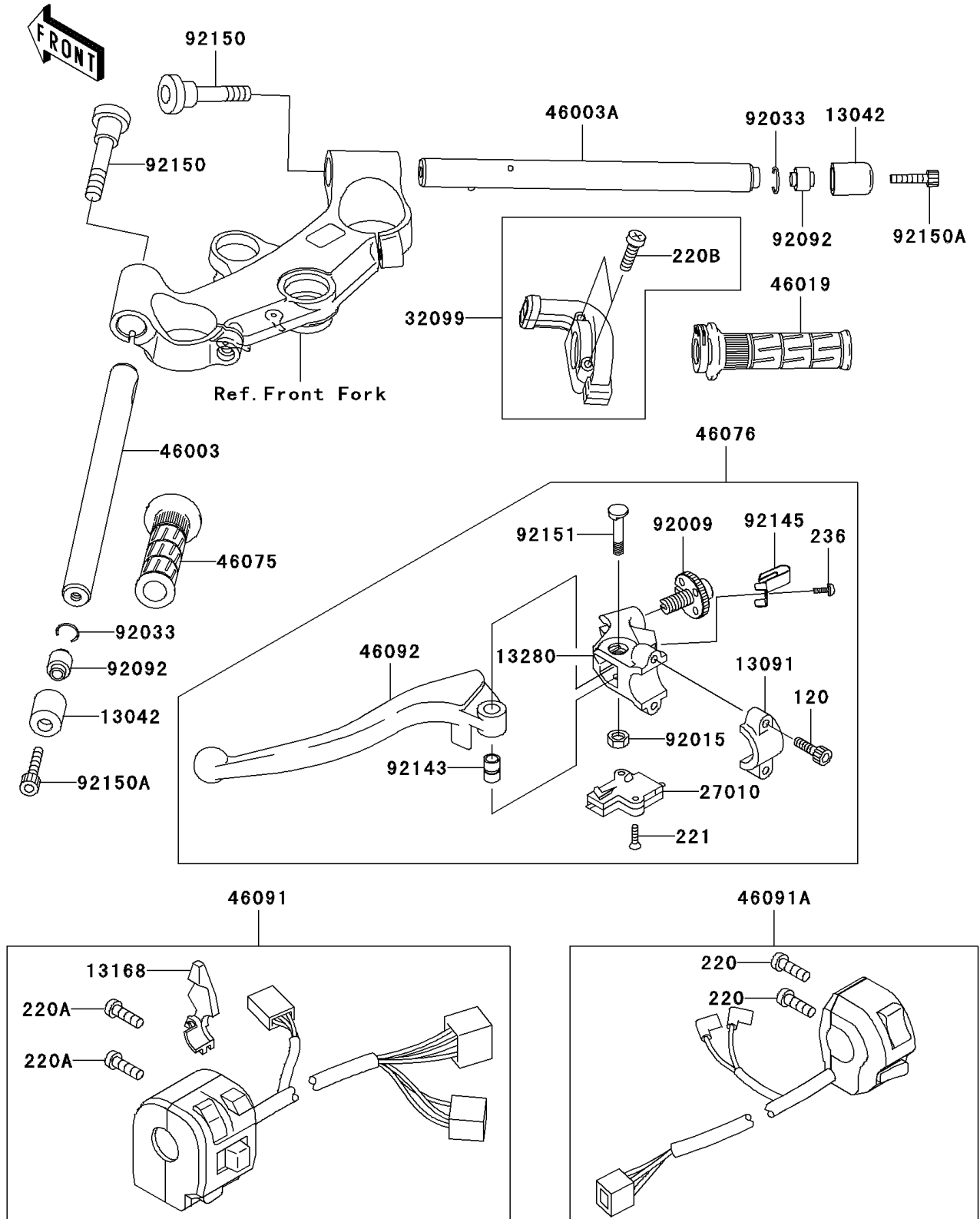


## 2000 Ninja® ZX™-12R PARTS DIAGRAM

Handlebar

F2310



## 2000 Ninja® ZX™-12R PARTS LIST

Handlebar

| ITEM NAME                              | PART NUMBER | QUANTITY |
|--|-------------|----------|
| BOLT-SOCKET,6X20 (Ref # 120)           | 120S0620    | 1        |
| SCREW-PAN-CROS (Ref # 220)             | 220C0522    | 1        |
| SCREW-PAN-CROS (Ref # 220A)            | 220C0525    | 1        |
| SCREW-PAN-CROS (Ref # 220B)            | 220C0535    | 1        |
| SCREW-CSK-CROS (Ref # 221)             | 221C0316    | 1        |
| SCREW-PAN-WSP-CROS,4X10 (Ref # 236)    | 236C0410    | 1        |
| WEIGHT,HANDLE (Ref # 13042)            | 13042-1006  | 1        |
| HOLDER,CLUTCH LEVER (Ref # 13091)      | 13091-1624  | 1        |
| LEVER,CHOKE (Ref # 13168)              | 13168-1516  | 1        |
| HOLDER,CLUTCH LEVER (Ref # 13280)      | 13280-1160  | 1        |
| SWITCH,CLUTCH,BLACK (Ref # 27010)      | 27010-1094  | 1        |
| CASE,THROTTLE CABLE (Ref # 32099)      | 32099-1193  | 1        |
| HANDLE,LH (Ref # 46003)                | 46003-1480  | 1        |
| HANDLE,RH (Ref # 46003A)               | 46003-1550  | 1        |
| GRIP-ASSY,THROTTLE (Ref # 46019)       | 46019-1095  | 1        |
| GRIP,LH (Ref # 46075)                  | 46075-1144  | 1        |
| LEVER-ASSY-GRIP,CLUTCH (Ref # 46076)   | 46076-1234  | 1        |
| HOUSING-ASSY-CONTROL,LH (Ref # 46091)  | 46091-1716  | 1        |
| HOUSING-ASSY-CONTROL,RH (Ref # 46091A) | 46091-1809  | 1        |
| LEVER-GRIP,CLUTCH (Ref # 46092)        | 46092-1214  | 1        |
| SCREW (Ref # 92009)                    | 92009-1910  | 1        |
| NUT,LOCK,6MM,BLACK (Ref # 92015)       | 92015-1191  | 1        |
| RING-SNAP,OD=22.2 (Ref # 92033)        | 92033-1102  | 1        |
| BUSHING-RUBBER,HANDLE (Ref # 92092)    | 92092-1018  | 1        |
| COLLAR (Ref # 92143)                   | 92143-1351  | 1        |
| SPRING (Ref # 92145)                   | 92145-1286  | 1        |
| BOLT,SOCKET,10X37 (Ref # 92150)        | 92150-1469  | 1        |
| BOLT,SOCKET,8X30 (Ref # 92150A)        | 92150-1604  | 1        |
| BOLT (Ref # 92151)                     | 92151-1523  | 1        |