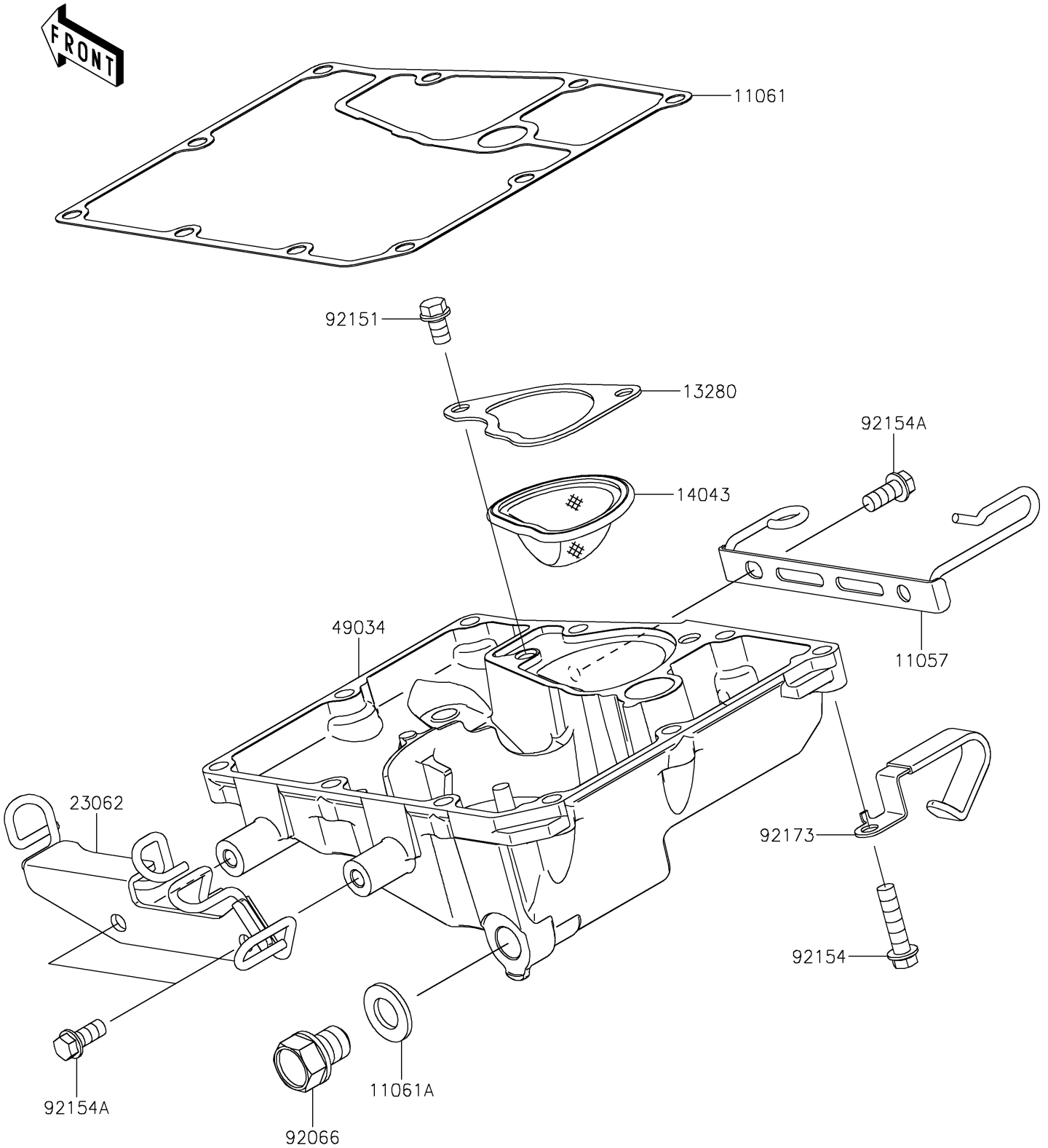


# 2024 Z650 PARTS DIAGRAM

Oil Pan

E1434



## 2024 Z650 PARTS LIST

### Oil Pan

| ITEM NAME                             | PART NUMBER | QUANTITY |
|---------------------------------------|-------------|----------|
| BRACKET,RH (Ref # 11057)              | 11057-0047  | 1        |
| GASKET,OIL PAN (Ref # 11061)          | 11061-0167  | 1        |
| GASKET,12X22X2 (Ref # 11061A)         | 11061-0417  | 1        |
| HOLDER,OIL FILTER (Ref # 13280)       | 13280-0134  | 1        |
| FILTER,OIL(SCAVENGE) (Ref # 14043)    | 14043-0008  | 1        |
| BRACKET-COMP,LH (Ref # 23062)         | 23062-1251  | 1        |
| PAN-OIL (Ref # 49034)                 | 49034-0552  | 1        |
| PLUG,OIL DRAIN,12X15 (Ref # 92066)    | 92066-0767  | 1        |
| BOLT,FLANGED-SMALL,6X10 (Ref # 92151) | 92151-1389  | 2        |
| BOLT,FLANGED,6X25 (Ref # 92154)       | 92154-0819  | 10       |
| BOLT,FLANGED,6X14 (Ref # 92154A)      | 92154-1426  | 4        |
| CLAMP (Ref # 92173)                   | 92173-1693  | 1        |