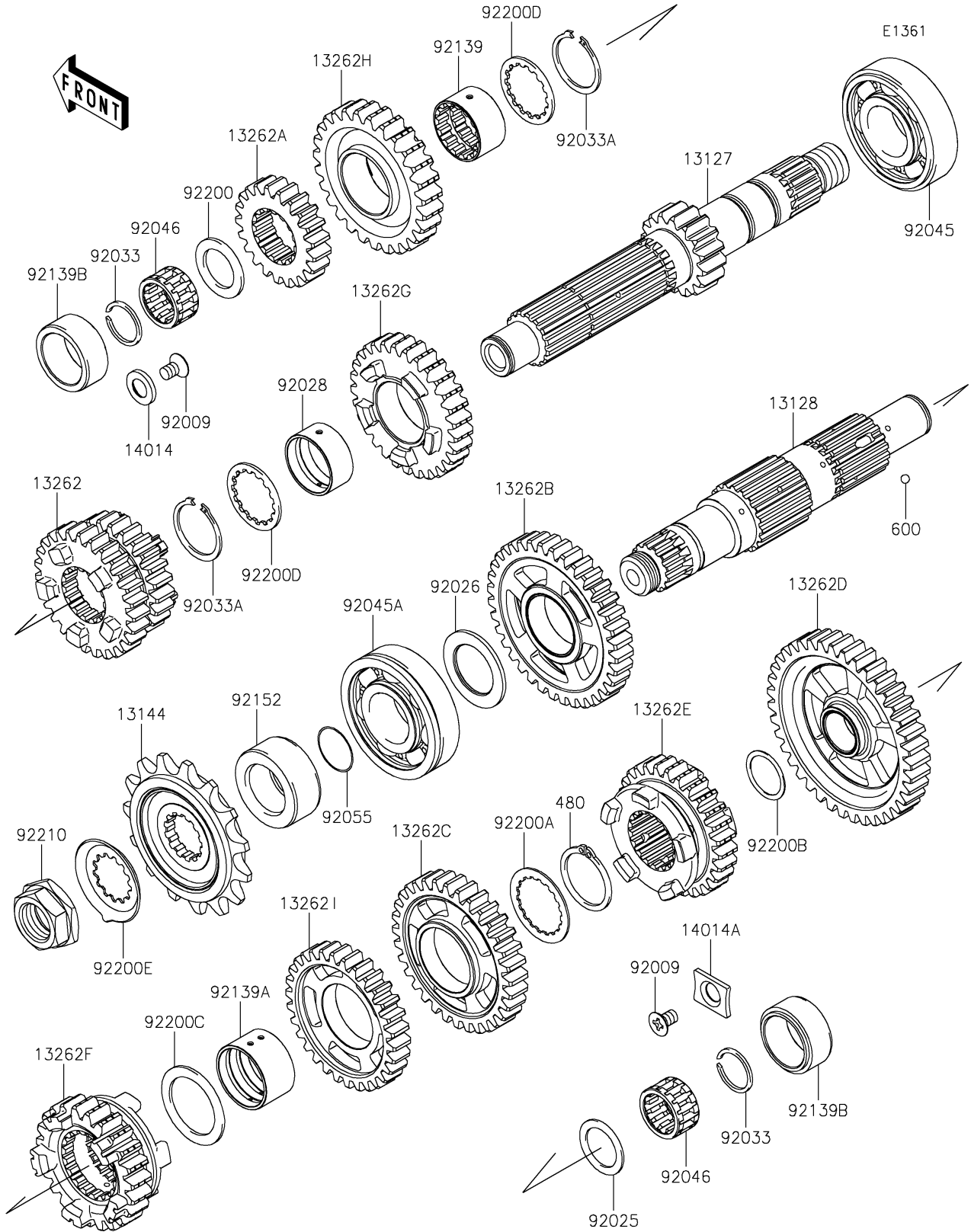


2024 Z650 PARTS DIAGRAM

Transmission



2024 Z650 PARTS LIST

Transmission

| ITEM NAME | PART NUMBER | QUANTITY |
|--|-------------|----------|
| SHAFT-TRANSMISSION INPUT,16T (Ref # 13127) | 13127-0666 | 1 |
| SHAFT-TRANSMISSION OUTPUT (Ref # 13128) | 13128-0690 | 1 |
| SPROCKET-OUTPUT,15T,#520 (Ref # 13144) | 13144-0576 | 1 |
| GEAR,INPUT 3RD&4TH,24T&27T (Ref # 13262) | 13262-0819 | 1 |
| GEAR,INPUT 2ND,21T (Ref # 13262A) | 13262-0821 | 1 |
| GEAR,OUTPUT 2ND,36T (Ref # 13262B) | 13262-0826 | 1 |
| GEAR,OUTPUT 3RD,32T (Ref # 13262C) | 13262-0827 | 1 |
| GEAR,OUTPUT LOW,39T (Ref # 13262D) | 13262-0828 | 1 |
| GEAR,OUTPUT 5TH,28T (Ref # 13262E) | 13262-1229 | 1 |
| GEAR,OUTPUT 6TH,23T (Ref # 13262F) | 13262-1230 | 1 |
| GEAR,INPUT 5TH,29T (Ref # 13262G) | 13262-1275 | 1 |
| GEAR,INPUT 6TH,27T (Ref # 13262H) | 13262-1276 | 1 |
| GEAR,OUTPUT 4TH,30T (Ref # 13262I) | 13262-1580 | 1 |
| PLATE-POSITION,9.5X17X2.3 (Ref # 14014) | 14014-0019 | 1 |
| PLATE-POSITION,RH (Ref # 14014A) | 14014-0020 | 1 |
| SCREW,6X10 (Ref # 92009) | 92009-1375 | 2 |
| SHIM,20.3X28X1.1 (Ref # 92025) | 92025-1455 | 1 |
| SPACER,25.3X39X2.0 (Ref # 92026) | 92026-0715 | 1 |
| BUSHING,INPUT GEAR (Ref # 92028) | 92028-1449 | 1 |
| RING-SNAP,20MM (Ref # 92033) | 92033-015 | 2 |
| RING-SNAP,25.9X30.6X1.2 (Ref # 92033A) | 92033-1037 | 2 |
| BEARING-BALL,25X62X17 (Ref # 92045) | 92045-0042 | 1 |
| BEARING-BALL,6305N2SH2 (Ref # 92045A) | 92045-1224 | 1 |
| BEARING-NEEDLE,KMJ20X26X13.8X1 (Ref # 92046) | 92046-1185 | 2 |
| RING-O,21.5X1.5 (Ref # 92055) | 92055-0196 | 1 |
| BUSHING,25X28.3X16.7 (Ref # 92139) | 92139-0107 | 1 |
| BUSHING,OUT 3RD&4TH GEAR (Ref # 92139A) | 92139-0108 | 1 |
| BUSHING,26X34X16.2 (Ref # 92139B) | 92139-0713 | 2 |
| COLLAR,25X40X17.2 (Ref # 92152) | 92152-0972 | 1 |

2024 Z650 PARTS LIST

Transmission

| ITEM NAME | PART NUMBER | QUANTITY |
|-------------------------------------|-------------|----------|
| WASHER,20.2X30X1.8 (Ref # 92200) | 92200-0221 | 1 |
| WASHER,30.3X38X1.0 (Ref # 92200A) | 92200-0222 | 1 |
| WASHER,20.2X25.0X0.5 (Ref # 92200B) | 92200-0291 | 1 |
| WASHER,29.9X40X1.5 (Ref # 92200C) | 92200-0721 | 1 |
| WASHER,28.5X34.0X1.5 (Ref # 92200D) | 92200-1240 | 2 |
| WASHER (Ref # 92200E) | 92200-1932 | 1 |
| NUT,20MM (Ref # 92210) | 92210-0850 | 1 |
| CIRCLIP (Ref # 480) | 480J2900 | 1 |
| BALL-STEEL,5/32 (Ref # 600) | 600A0500 | 3 |