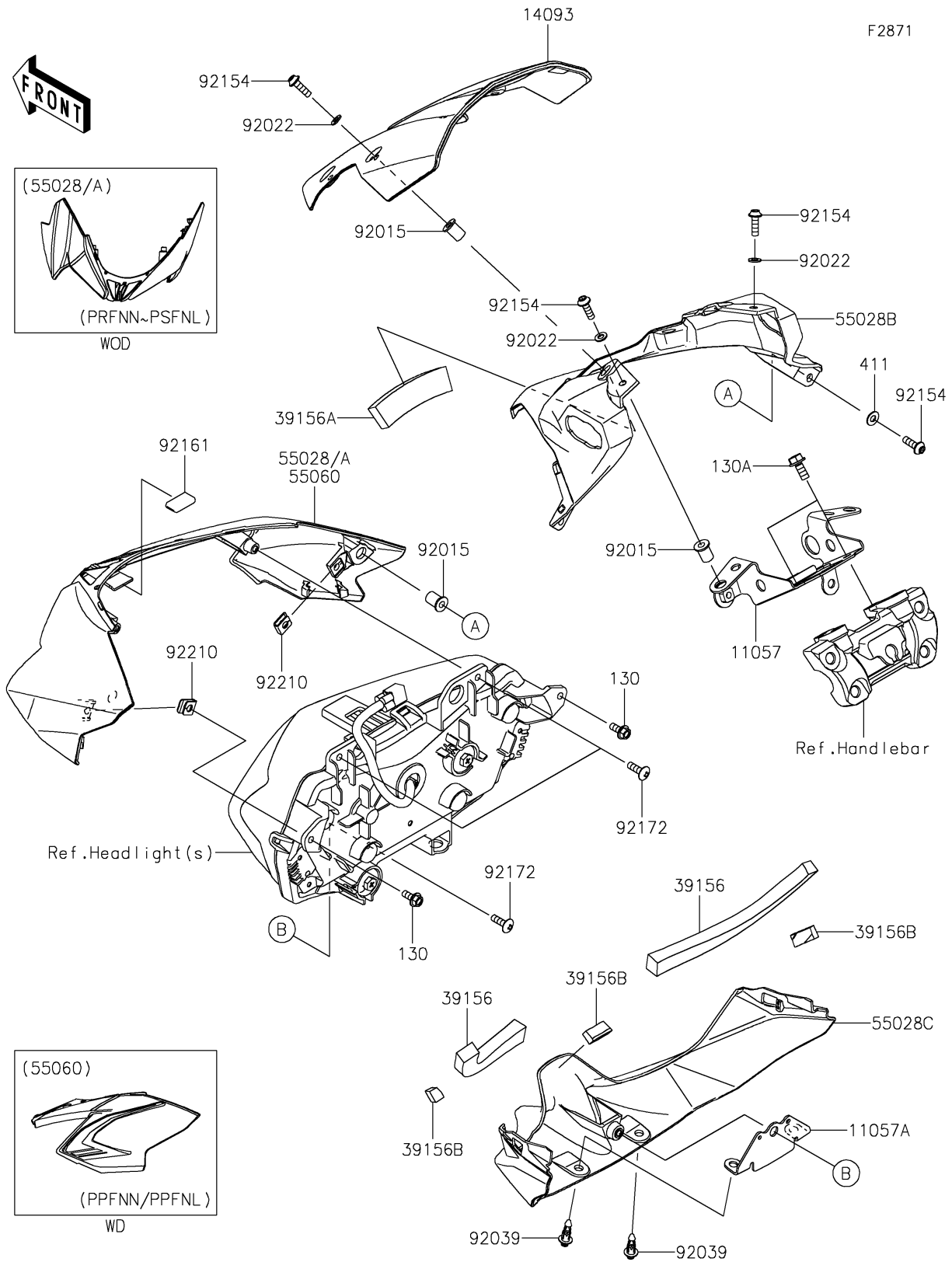


2025 Z650 PARTS DIAGRAM

Cowling



F2871

2025 Z650 PARTS LIST

Cowling

| ITEM NAME | PART NUMBER | QUANTITY |
|---|----------------|----------|
| BRACKET,UPP (Ref # 11057) | 11057-2726 | 1 |
| BRACKET,LWR (Ref # 11057A) | 11057-2727 | 1 |
| COVER,METER (Ref # 14093) | 14093-0934 | 1 |
| PAD,170X10X20 (Ref # 39156) | 39156-2546 | 2 |
| PAD,80X10X20 (Ref # 39156A) | 39156-2580 | 1 |
| PAD,20X10X8 (Ref # 39156B) | 39156-2581 | 3 |
| COWLING,UPP,CNT,M.M.D.GRAY (Ref # 55028A) | 55028-0710-69P | 1 |
| COWLING,UPP,UPP (Ref # 55028B) | 55028-0711 | 1 |
| COWLING,UPP,LWR (Ref # 55028C) | 55028-0712 | 1 |
| NUT,WELL,5MM (Ref # 92015) | 92015-1757 | 8 |
| WASHER,5.1X10X1.0 (Ref # 92022) | 92022-1977 | 6 |
| RIVET (Ref # 92039) | 92039-0709 | 2 |
| BOLT,SOCKET,5X16 (Ref # 92154) | 92154-1701 | 8 |
| DAMPER,12X23 (Ref # 92161) | 92161-1367 | 1 |
| SCREW,TAPPING,5X16 (Ref # 92172) | 92172-0742 | 3 |
| NUT (Ref # 92210) | 92210-0571 | 2 |
| BOLT-FLANGED,5X12 (Ref # 130) | 130BA0512 | 2 |
| BOLT-FLANGED,6X14 (Ref # 130A) | 130BB0614 | 2 |
| WASHER-PLAIN,5MM (Ref # 411) | 411AB0500 | 2 |