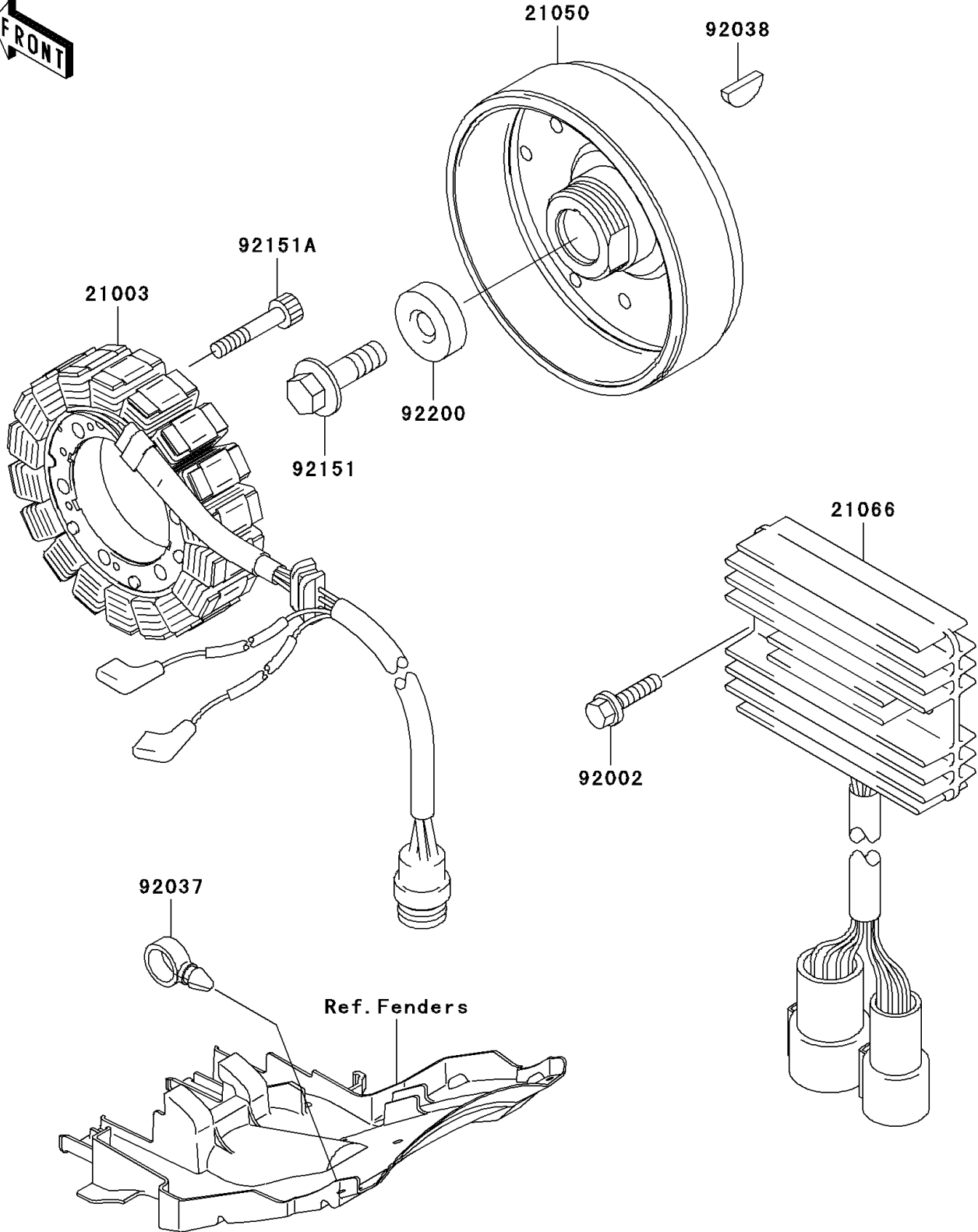


2000 Ninja® ZX™-12R PARTS DIAGRAM

Generator

E1810



2000 Ninja® ZX™-12R PARTS LIST

Generator

ITEM NAME	PART NUMBER	QUANTITY
STATOR (Ref # 21003)	21003-1351	1
FLYWHEEL (Ref # 21050)	21050-1185	1
REGULATOR-VOLTAGE (Ref # 21066)	21066-1119	1
BOLT,FLANGED,6X35 (Ref # 92002)	92002-1051	2
CLAMP,HOSE (Ref # 92037)	92037-1827	1
KEY (Ref # 92038)	92038-1060	1
BOLT,FLYWHEEL (Ref # 92151)	92151-1230	1
BOLT,SOCKET,6X45 (Ref # 92151A)	92151-1779	3
WASHER (Ref # 92200)	92200-1241	1