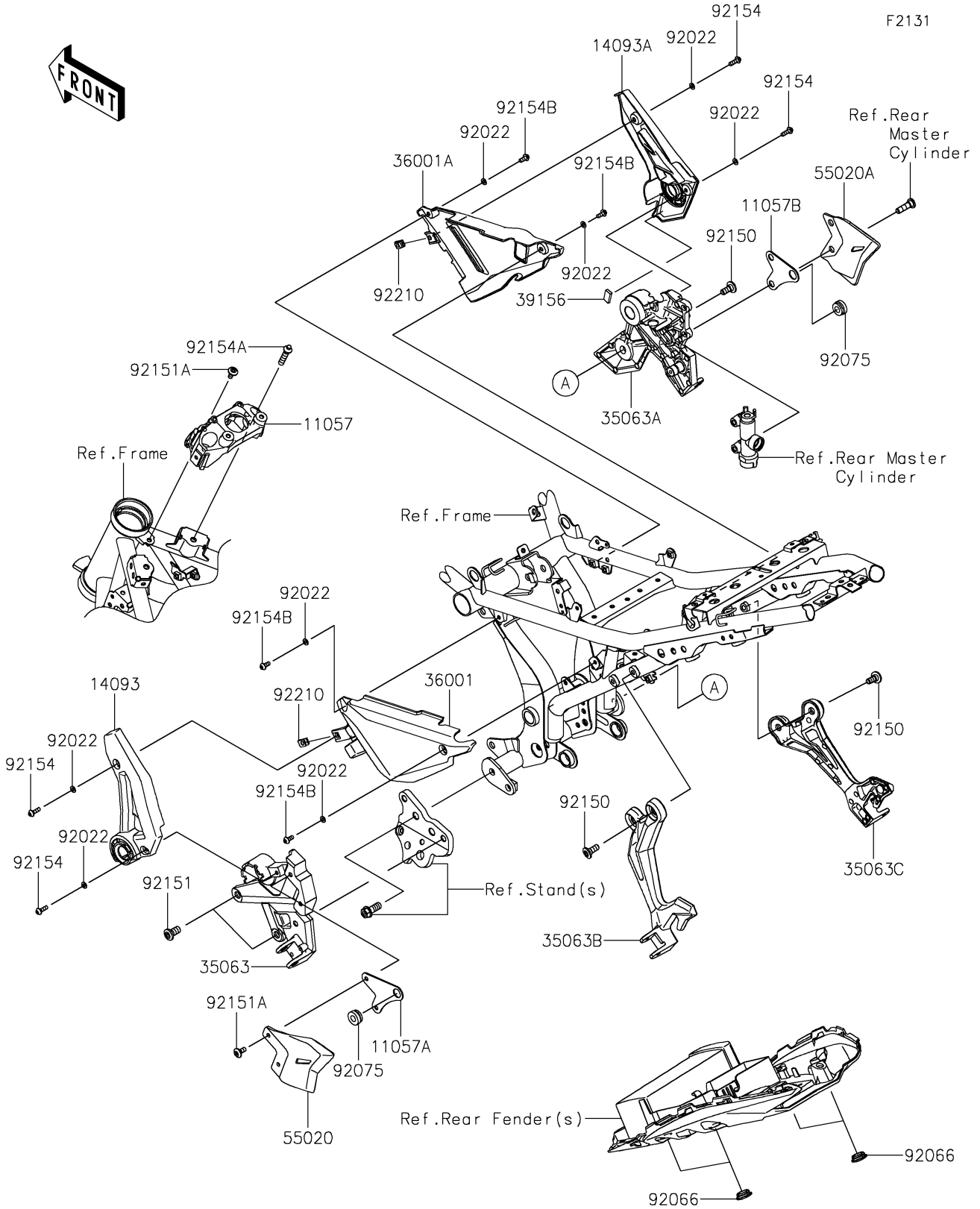


# 2025 Z650 PARTS DIAGRAM

## Frame Fittings



## 2025 Z650 PARTS LIST

### Frame Fittings

| ITEM NAME                                | PART NUMBER    | QUANTITY |
|--|----------------|----------|
| BRACKET,IG. SWITCH (Ref # 11057)         | 11057-0079     | 1        |
| BRACKET,STEP STAY,LH (Ref # 11057A)      | 11057-0476     | 1        |
| BRACKET,STEP STAY,RH (Ref # 11057B)      | 11057-0477     | 1        |
| COVER,STEP,LH,F.S.BLACK (Ref # 14093)    | 14093-0480-18T | 1        |
| COVER,STEP,RH,F.S.BLACK (Ref # 14093A)   | 14093-0623-18T | 1        |
| STAY,STEP,FR,LH,F.S.BLACK (Ref # 35063)  | 35063-1348-18R | 1        |
| STAY,STEP,FR,RH,F.S.BLACK (Ref # 35063A) | 35063-1349-18R | 1        |
| STAY,STEP,RR,LH,F.S.BLACK (Ref # 35063B) | 35063-1350-18R | 1        |
| STAY,STEP,RR,RH,F.S.BLACK (Ref # 35063C) | 35063-1351-18R | 1        |
| COVER-SIDE,LH (Ref # 36001)              | 36001-0642     | 1        |
| COVER-SIDE,RH (Ref # 36001A)             | 36001-0643     | 1        |
| PAD,20X10X4 (Ref # 39156)                | 39156-2839     | 1        |
| GUARD,HEEL,LH (Ref # 55020)              | 55020-1956     | 1        |
| GUARD,HEEL,RH (Ref # 55020A)             | 55020-1957     | 1        |
| WASHER,5.1X10X1.0 (Ref # 92022)          | 92022-1977     | 8        |
| PLUG (Ref # 92066)                       | 92066-0096     | 4        |
| DAMPER (Ref # 92075)                     | 92075-277      | 2        |
| BOLT,SOCKET,8X20 (Ref # 92150)           | 92150-1760     | 5        |
| BOLT,SOCKET,10X20 (Ref # 92151)          | 92151-1557     | 2        |
| BOLT,SOCKET,6X14 (Ref # 92151A)          | 92151-1654     | 3        |
| BOLT,SOCKET,5X16 (Ref # 92154)           | 92154-0209     | 4        |
| BOLT,TORX,8X35 (Ref # 92154A)            | 92154-0730     | 2        |
| BOLT,SOCKET,5X12 (Ref # 92154B)          | 92154-0917     | 4        |
| NUT,PLATE,5MM (Ref # 92210)              | 92210-0935     | 2        |