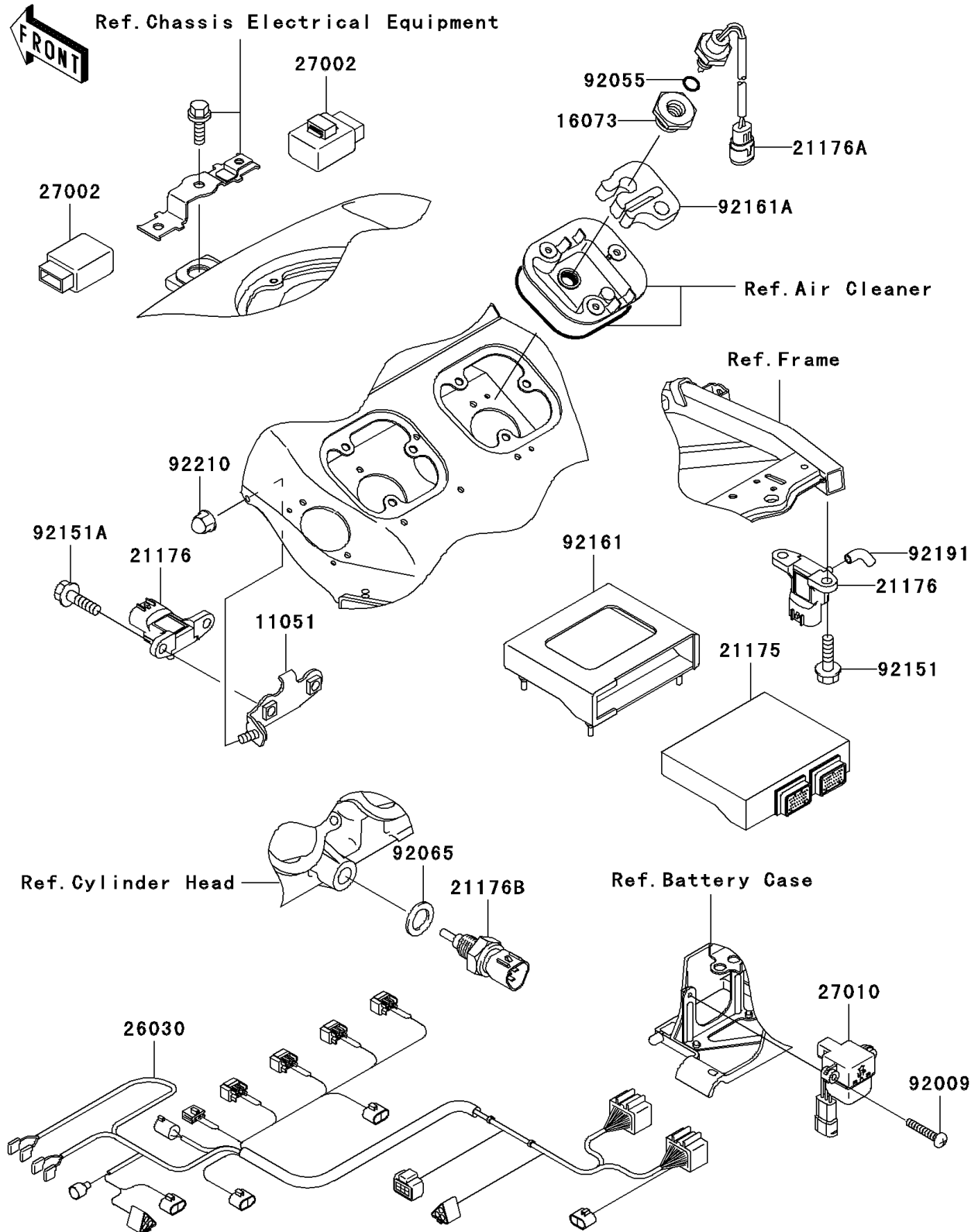


2000 Ninja® ZX™-12R PARTS DIAGRAM

Fuel Injection

E1530



2000 Ninja® ZX™-12R PARTS LIST

Fuel Injection

| ITEM NAME | PART NUMBER | QUANTITY |
|---|-------------|----------|
| BRACKET (Ref # 11051) | 11051-1660 | 1 |
| INSULATOR (Ref # 16073) | 16073-1121 | 1 |
| CONTROL UNIT-ELECTRONIC (Ref # 21175) | 21175-1069 | 1 |
| SENSOR,PRESSURE (Ref # 21176) | 21176-1095 | 1 |
| SENSOR,AIR TEMPERATURE (Ref # 21176A) | 21176-1097 | 1 |
| SENSOR,WATER TEMPERATURE (Ref # 21176B) | 21176-1098 | 1 |
| HARNESS (Ref # 26030) | 26030-1680 | 1 |
| RELAY-ASSY (Ref # 27002) | 27002-1062 | 1 |
| SWITCH (Ref # 27010) | 27010-1408 | 1 |
| SCREW,4X20 (Ref # 92009) | 92009-1897 | 1 |
| RING-O,ID=9.5 (Ref # 92055) | 92055-1386 | 1 |
| GASKET,12X22X2,DRAIN PLUG (Ref # 92065) | 92065-097 | 1 |
| BOLT,6X22 (Ref # 92151) | 92151-1236 | 1 |
| BOLT,6X16 (Ref # 92151A) | 92151-1774 | 1 |
| DAMPER (Ref # 92161) | 92161-1118 | 1 |
| DAMPER (Ref # 92161A) | 92161-1144 | 1 |
| TUBE (Ref # 92191) | 92191-1499 | 1 |
| NUT (Ref # 92210) | 92210-1252 | 1 |