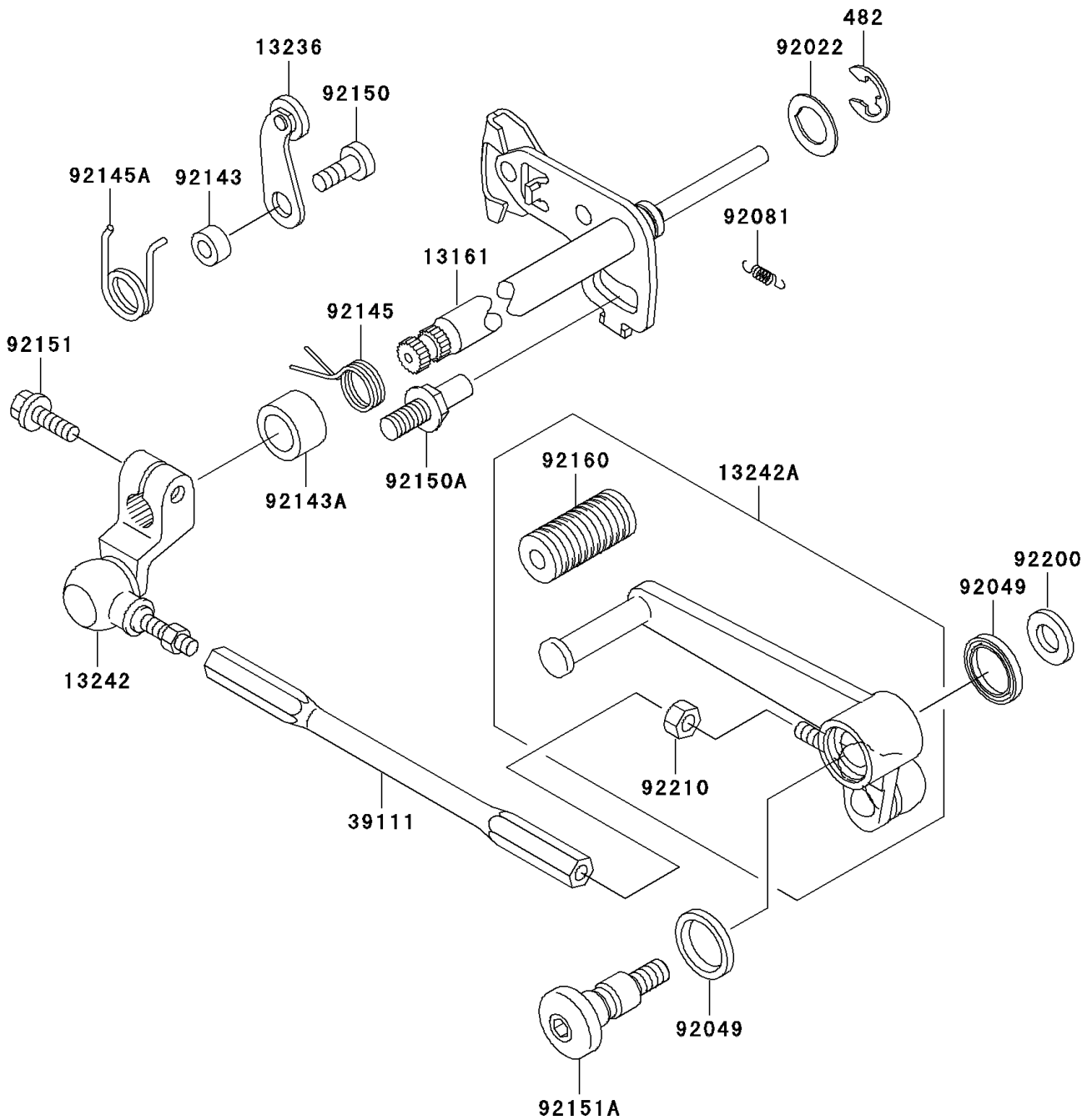


2000 Ninja® ZX™-12R PARTS DIAGRAM

Gear Change Mechanism

E1370



2000 Ninja® ZX™-12R PARTS LIST

Gear Change Mechanism

ITEM NAME	PART NUMBER	QUANTITY
CIRCLIP-TYPE-E,12MM (Ref # 482)	482J0200	1
LEVER-COMP-CHANGE SHAFT (Ref # 13161)	13161-1258	1
LEVER-COMP,POSITION (Ref # 13236)	13236-1307	1
LEVER-ASSY-CHANGE,BOSS (Ref # 13242)	13242-1348	1
LEVER-ASSY-CHANGE,PEDAL (Ref # 13242A)	13242-1363	1
ROD-TIE (Ref # 39111)	39111-1166	1
WASHER,CHANGE SHAFT (Ref # 92022)	92022-1628	1
SEAL-OIL,VB13193 (Ref # 92049)	92049-1398	2
SPRING,PAWL RETURN (Ref # 92081)	92081-1708	1
COLLAR (Ref # 92143)	92143-1595	1
COLLAR,13.2X19.9X12 (Ref # 92143A)	92143-1733	1
SPRING (Ref # 92145)	92145-1122	1
SPRING (Ref # 92145A)	92145-1257	1
BOLT,SOCKET,6X16 (Ref # 92150)	92150-1737	1
BOLT,RETURN SPRING (Ref # 92150A)	92150-1869	1
BOLT,6X20 (Ref # 92151)	92151-1226	1
BOLT,CHANGE PEDAL (Ref # 92151A)	92151-1481	1
DAMPER,CHANGE PEDAL (Ref # 92160)	92160-1036	1
WASHER,8.5X25X1.5 (Ref # 92200)	92200-3717	1
NUT (Ref # 92210)	92210-1100	1