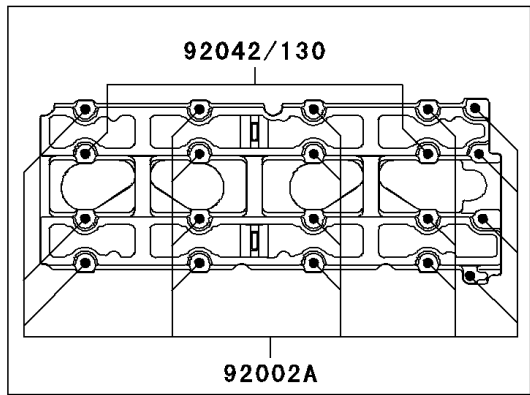
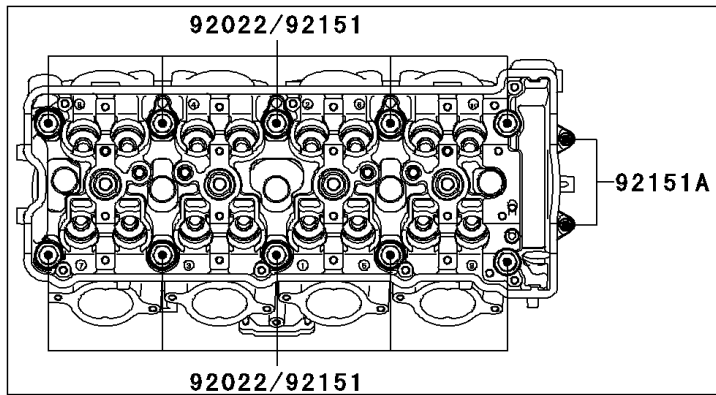
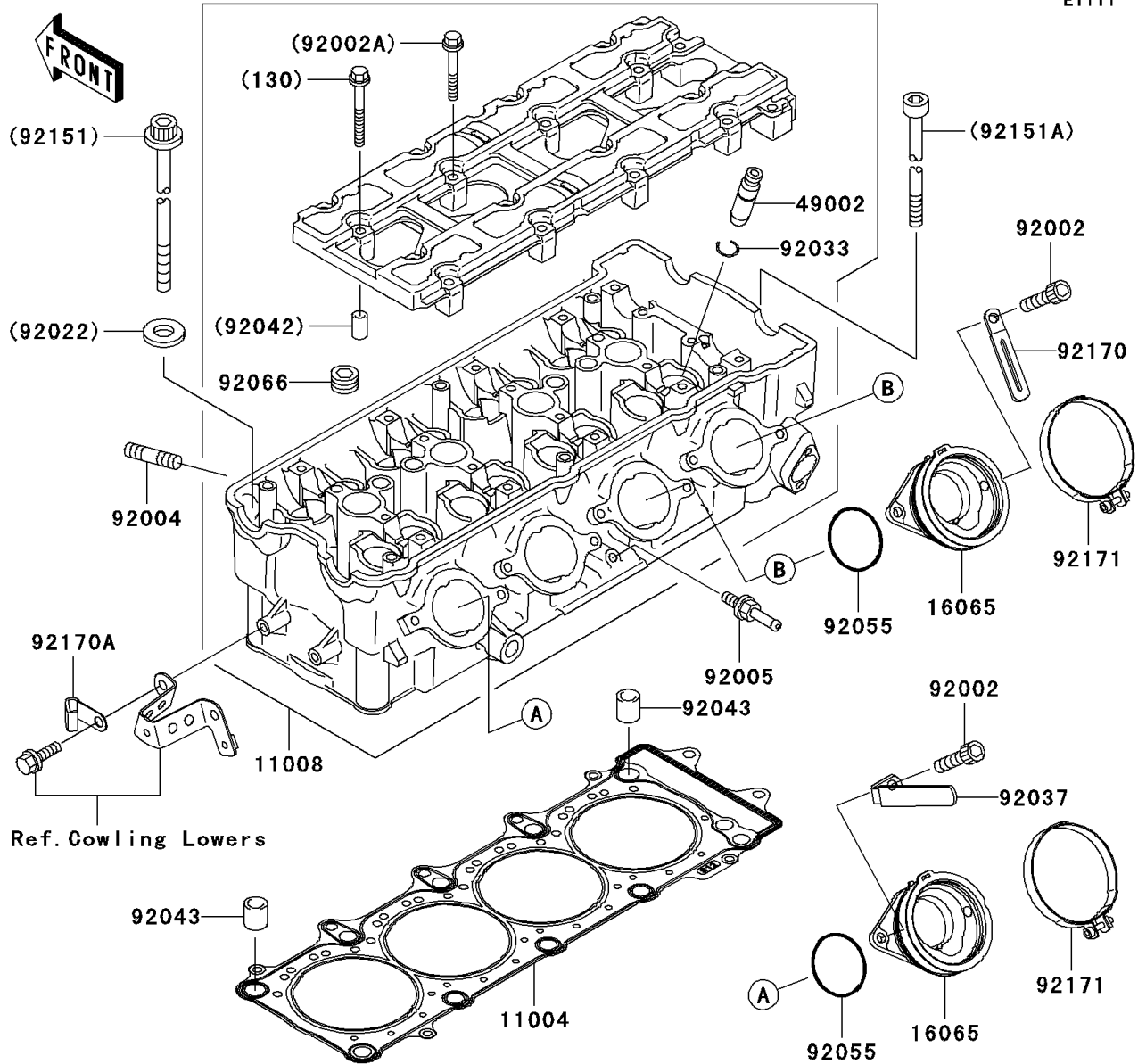


2000 Ninja® ZX™-12R PARTS DIAGRAM

Cylinder Head

E1111



2000 Ninja® ZX™-12R PARTS LIST

Cylinder Head

ITEM NAME	PART NUMBER	QUANTITY
BOLT-FLANGED (Ref # 130)	130Z0650	2
GASKET-HEAD (Ref # 11004)	11004-1365	1
HEAD-COMP-CYLINDER (Ref # 11008)	11008-1372	1
HOLDER-CARBURETOR (Ref # 16065)	16065-1364	4
GUIDE-VALVE (Ref # 49002)	49002-1140	AR
BOLT,6X16 (Ref # 92002)	92002-1143	8
BOLT,6X40 (Ref # 92002A)	92002-1756	18
STUD,8X22 (Ref # 92004)	92004-1249	8
FITTING (Ref # 92005)	92005-1337	1
WASHER,11.5X20.5X1.6 (Ref # 92022)	92022-1720	10
RING-SNAP (Ref # 92033)	92033-1247	16
CLAMP (Ref # 92037)	92037-1679	1
PIN,DOWEL,6.3X8X14 (Ref # 92042)	92042-007	2
PIN,14X14 (Ref # 92043)	92043-1593	2
RING-O,47X1.9 (Ref # 92055)	92055-1600	4
PLUG,PT1/2X12.5 (Ref # 92066)	92066-1253	5
BOLT,11X168 (Ref # 92151)	92151-1513	10
BOLT,SOCKET,7X120 (Ref # 92151A)	92151-1804	2
CLAMP (Ref # 92170)	92170-1514	2
CLAMP,HARNESS (Ref # 92170A)	92170-1900	1
CLAMP (Ref # 92171)	92171-1089	4