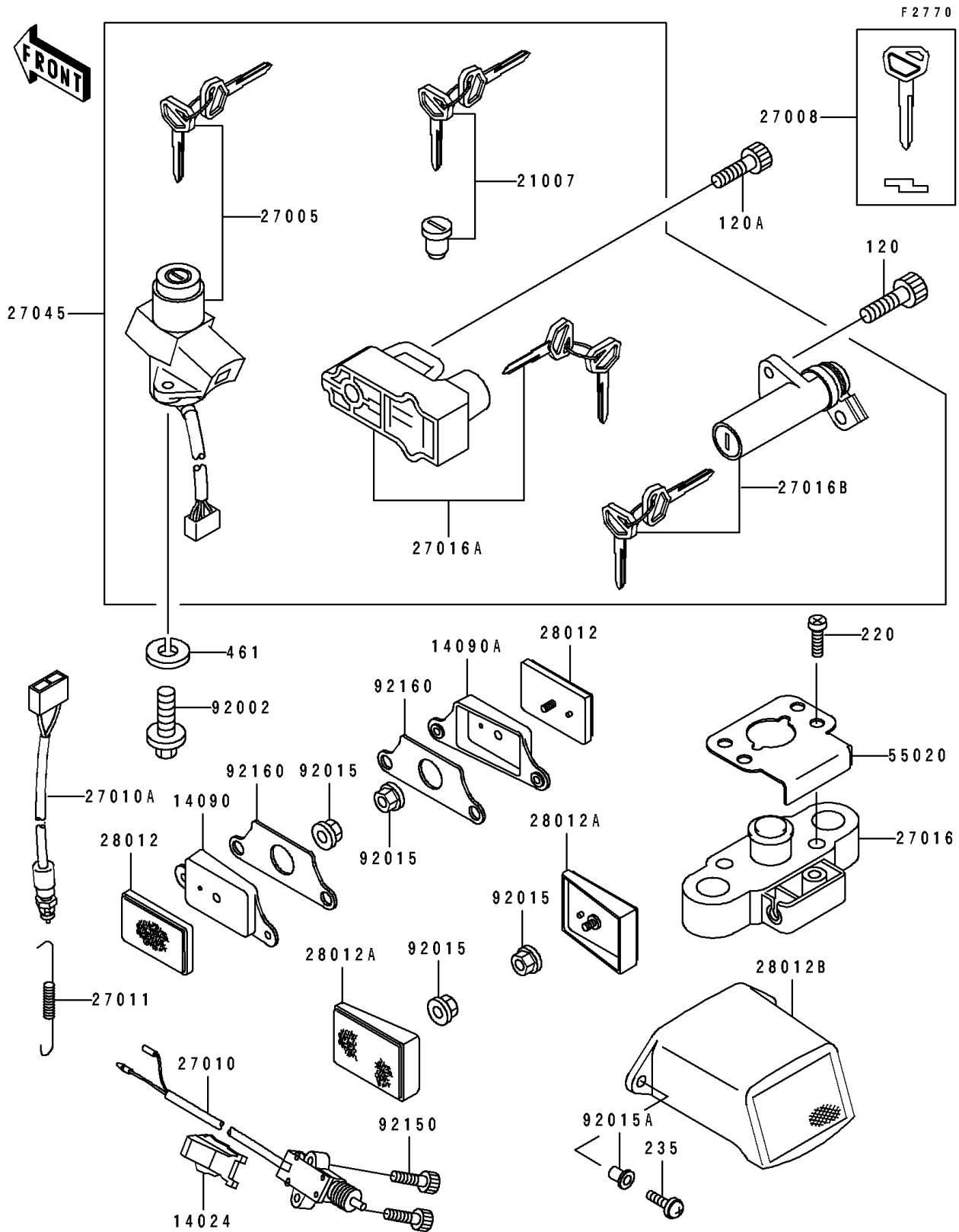


1996 GPZ 1100 ABS PARTS DIAGRAM

Ignition Switch/Locks/Reflectors



1996 GPZ 1100 ABS PARTS LIST

Ignition Switch/Locks/Reflectors

ITEM NAME	PART NUMBER	QUANTITY
COVER,SIDE STAND SWITCH (Ref # 14024)	14024-1532	1
COVER,REFLECTOR,FR,LH (Ref # 14090)	14090-1562	1
COVER,REFLECTOR,FR,RH (Ref # 14090A)	14090-1563	1
ROTOR,LOCK,TANK CAP (Ref # 21007)	21007-5037	1
SWITCH-ASSY-IGNITION (Ref # 27005)	27005-5101	1
KEY-LOCK,BLANK (Ref # 27008)	27008-1173	1
SWITCH,SIDE STAND (Ref # 27010)	27010-1226	1
SWITCH,BRAKE LAMP (Ref # 27010A)	27010-1357	1
SPRING,BRAKE LAMP SWITCH (Ref # 27011)	27011-011	1
LOCK-ASSY,SEAT STRIKER (Ref # 27016)	27016-1098	1
LOCK-ASSY,HELMET (Ref # 27016A)	27016-5203	1
LOCK-ASSY,SEAT (Ref # 27016B)	27016-5205	1
SWITCH-ASSY (Ref # 27045)	27045-5012	1
REFLECTOR-REFLEX (Ref # 28012)	28012-1003	2
REFLECTOR-REFLEX,RR (Ref # 28012A)	28012-1056	2
REFLECTOR-REFLEX,RR (Ref # 28012B)	28012-1066	1
GUARD,SEAT STRIKER (Ref # 55020)	55020-1498	1
BOLT,TORX,6X16 (Ref # 92002)	92002-1333	2
NUT,FLANGED,5MM (Ref # 92015)	92015-1259	4
NUT (Ref # 92015A)	92015-1700	2
BOLT,SOCKET,5X22 (Ref # 92150)	92150-1491	2
DAMPER,REFLECTOR (Ref # 92160)	92160-1586	2
BOLT-SOCKET (Ref # 120)	120S0512	2
BOLT-SOCKET,6X16,BLACK (Ref # 120A)	120S0616	1
SCREW-PAN-CROS,6X30,BLACK (Ref # 220)	220C0630	2
SCREW-PAN-WP-CROS (Ref # 235)	235C0620	2
WASHER-SPRING (Ref # 461)	461L0600	2