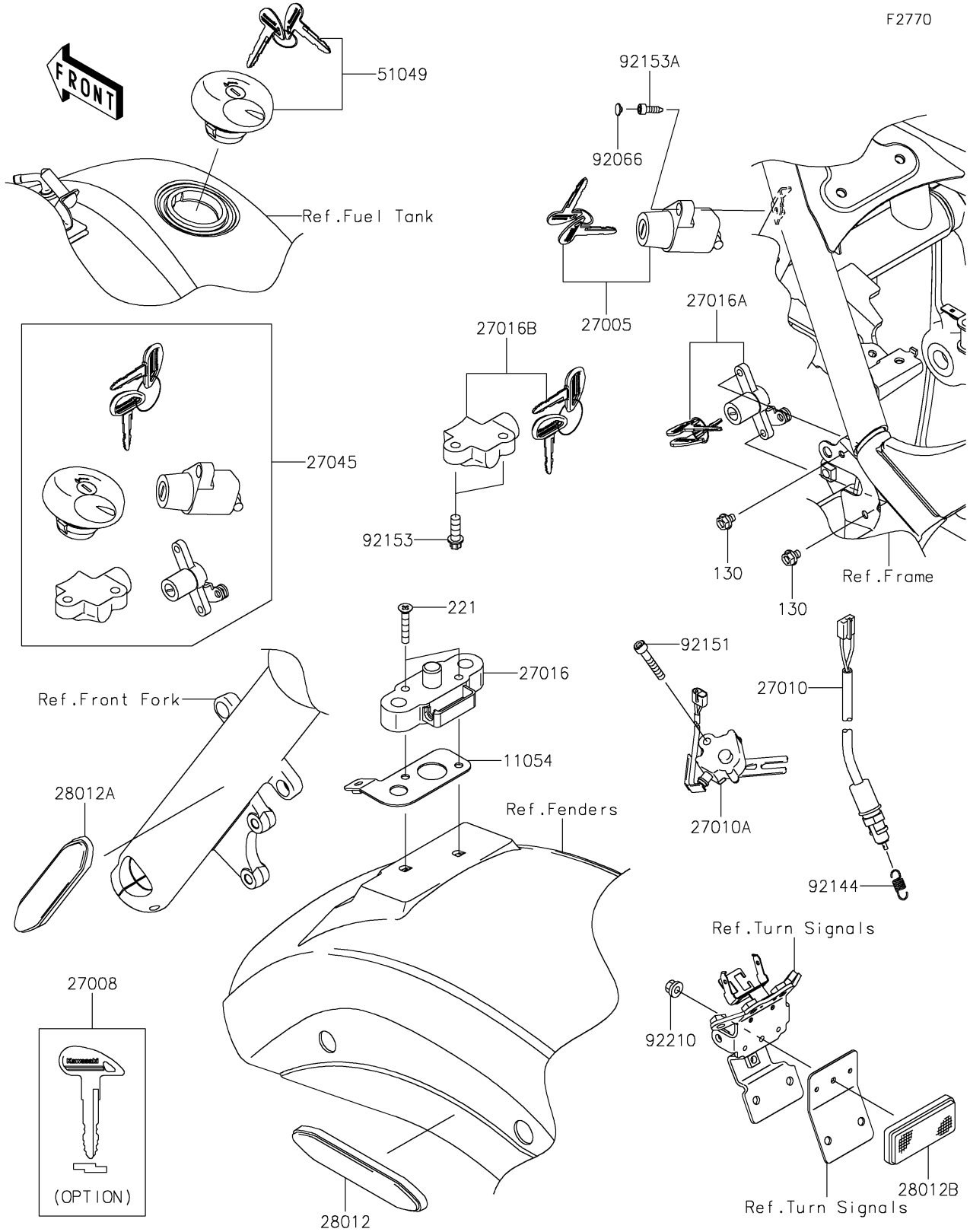


# 2024 Vulcan 900 Classic PARTS DIAGRAM

## Ignition Switch/Locks/Reflectors

F2770



## 2024 Vulcan 900 Classic PARTS LIST

### Ignition Switch/Locks/Reflectors

| ITEM NAME                              | PART NUMBER | QUANTITY |
|--|-------------|----------|
| BRACKET,SEAT LOCK (Ref # 11054)        | 11054-0492  | 1        |
| SWITCH-ASSY-IGNITION (Ref # 27005)     | 27005-0032  | 1        |
| KEY-LOCK,BLANK (Ref # 27008)           | 27008-0042  | 1        |
| SWITCH,REAR BRAKE (Ref # 27010)        | 27010-0050  | 1        |
| SWITCH,SIDE STAND (Ref # 27010A)       | 27010-1470  | 1        |
| LOCK-ASSY,SEAT STRIKER (Ref # 27016)   | 27016-1098  | 1        |
| LOCK-ASSY,SEAT (Ref # 27016A)          | 27016-5341  | 1        |
| LOCK-ASSY,STEERING (Ref # 27016B)      | 27016-5342  | 1        |
| SWITCH-ASSY (Ref # 27045)              | 27045-5323  | 1        |
| REFLECTOR-REFLEX (Ref # 28012)         | 28012-0010  | 2        |
| REFLECTOR-REFLEX (Ref # 28012A)        | 28012-0019  | 2        |
| REFLECTOR-REFLEX (Ref # 28012B)        | 28012-1077  | 1        |
| CAP-TANK,FUEL (Ref # 51049)            | 51049-5001  | 1        |
| PLUG (Ref # 92066)                     | 92066-1543  | 1        |
| SPRING,REAR BRAKE SWITCH (Ref # 92144) | 92144-1141  | 1        |
| BOLT,SOCKET,6X35 (Ref # 92151)         | 92151-1390  | 1        |
| BOLT,TORX,8X22 (Ref # 92153)           | 92153-1273  | 2        |
| BOLT,SOCKET,5X16 (Ref # 92153A)        | 92153-1685  | 1        |
| NUT,FLANGED,5MM (Ref # 92210)          | 92210-0007  | 1        |
| BOLT-FLANGED,6X8 (Ref # 130)           | 130BB0608   | 2        |
| SCREW-CSK-CROS,6X35 (Ref # 221)        | 221AB0635   | 2        |