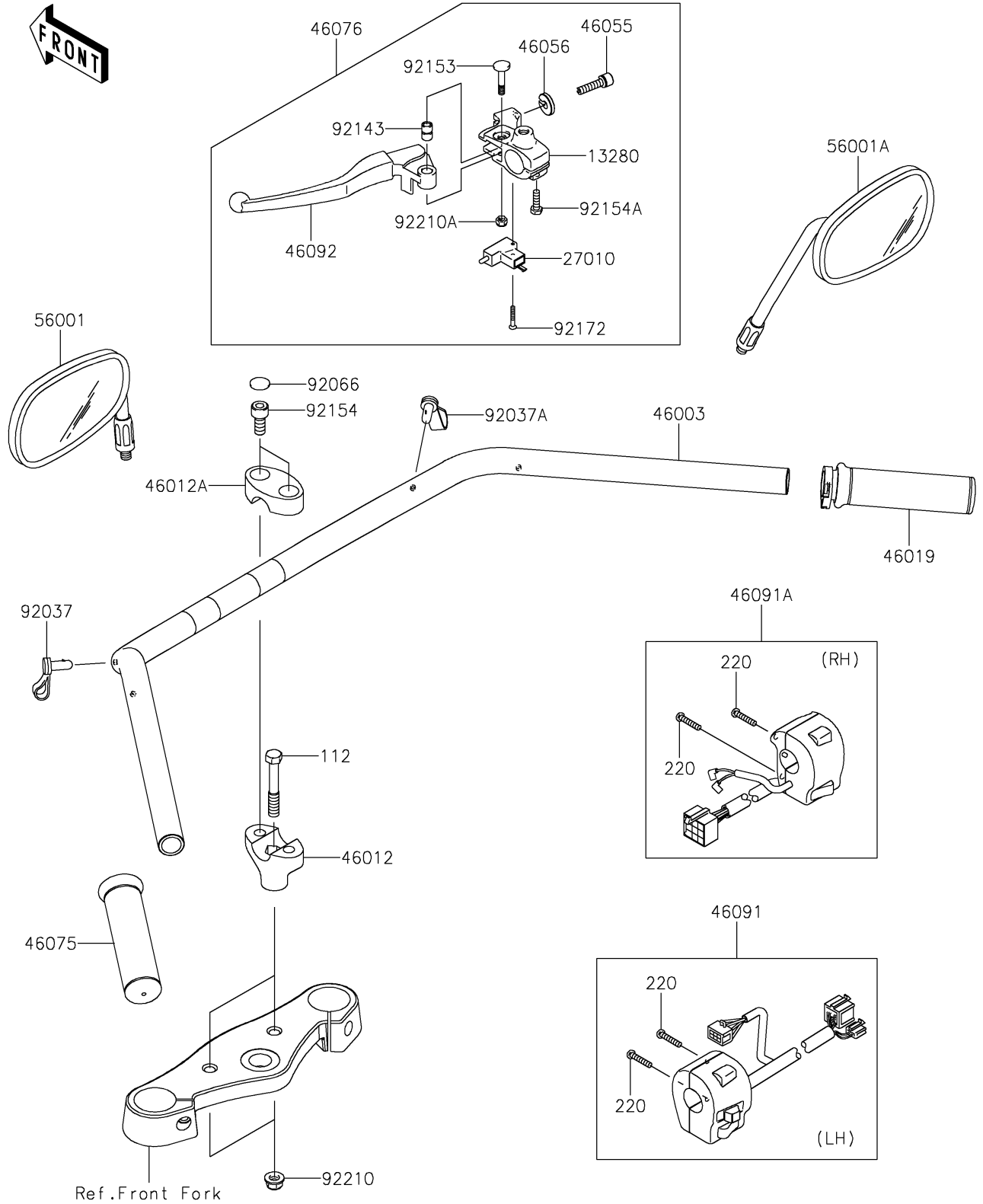


2025 Vulcan 900 Classic PARTS DIAGRAM

Handlebar

F2310



2025 Vulcan 900 Classic PARTS LIST

Handlebar

| ITEM NAME | PART NUMBER | QUANTITY |
|--|---------------|----------|
| HOLDER,CLUTCH LEVER (Ref # 13280) | 13280-1101 | 1 |
| SWITCH,CLUTCH (Ref # 27010) | 27010-1268 | 1 |
| HANDLE (Ref # 46003) | 46003-0155 | 1 |
| HOLDER-HANDLE,LWR,F.BLACK (Ref # 46012) | 46012-0311-21 | 2 |
| HOLDER-HANDLE,UPP,F.BLACK (Ref # 46012A) | 46012-1292-21 | 2 |
| GRIP-ASSY,THROTTLE (Ref # 46019) | 46019-1123 | 1 |
| SCREW,CABLE ADJUST,8MM (Ref # 46055) | 46055-003 | 1 |
| NUT,CABLE ADJUST LOCK,8MM (Ref # 46056) | 46056-005 | 1 |
| GRIP,LH (Ref # 46075) | 46075-1212 | 1 |
| LEVER-ASSY-GRIP,CLUTCH (Ref # 46076) | 46076-0075 | 1 |
| HOUSING-ASSY-CONTROL,LH (Ref # 46091) | 46091-0230 | 1 |
| HOUSING-ASSY-CONTROL,RH (Ref # 46091A) | 46091-0231 | 1 |
| LEVER-GRIP,CLUCTH (Ref # 46092) | 46092-1204 | 1 |
| MIRROR-ASSY,LH (Ref # 56001) | 56001-0282 | 1 |
| MIRROR-ASSY,RH (Ref # 56001A) | 56001-0283 | 1 |
| CLAMP,SPEED,L=58 (Ref # 92037) | 92037-1163 | 3 |
| CLAMP,SPEED,L=80.5 (Ref # 92037A) | 92037-1903 | 1 |
| PLUG (Ref # 92066) | 92066-0718 | 4 |
| COLLAR (Ref # 92143) | 92143-1351 | 1 |
| BOLT,LEVER SET (Ref # 92153) | 92153-0716 | 1 |
| BOLT,SOCKET,10X25 (Ref # 92154) | 92154-0350 | 4 |
| BOLT,6X20 (Ref # 92154A) | 92154-4384 | 1 |
| SCREW,3X20 (Ref # 92172) | 92172-0164 | 1 |
| NUT,LOCK,FLANGED,10MM (Ref # 92210) | 92210-1139 | 2 |
| NUT,LOCK,6MM (Ref # 92210A) | 92210-1544 | 1 |
| BOLT-UPSET,10X65 (Ref # 112) | 112BA1065 | 2 |
| SCREW-PAN-CROS,5X25 (Ref # 220) | 220R0525 | 4 |