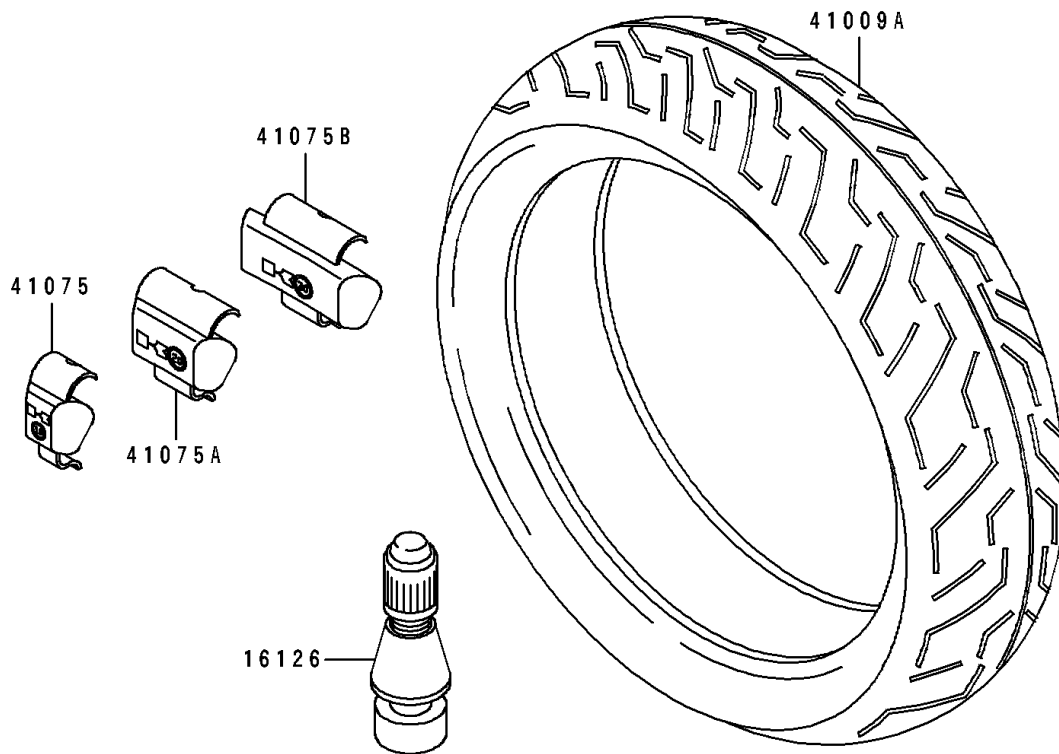
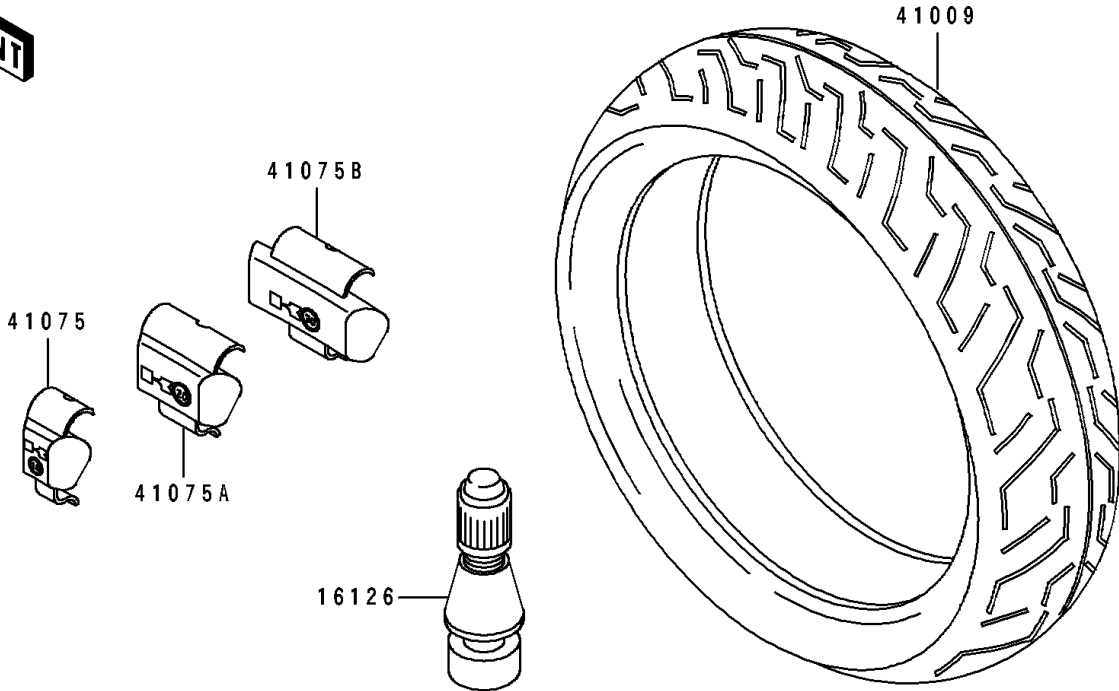


# 1996 GPZ 1100 ABS PARTS DIAGRAM

Tires

F2210



## 1996 GPZ 1100 ABS PARTS LIST

### Tires

ITEM NAME	PART NUMBER	QUANTITY
VALVE,TIRE (Ref # 16126)	16126-1140	2
TIRE,FR,120/70ZR17,BT-54F(BS) (Ref # 41009)	41009-1055	1
TIRE,RR,170/60ZR17,BT-54R(BS) (Ref # 41009A)	41009-1056	1
BALANCER-WHEEL,10G,SILVER (Ref # 41075)	41075-1014	AR
BALANCER-WHEEL,20G,SILVER (Ref # 41075A)	41075-1015	AR
BALANCER-WHEEL,30G,SILVER (Ref # 41075B)	41075-1016	AR